



# INSTALLATION INSTRUCTIONS

Accessory  
**CROSSBARS**  
P/N 08L04-T7S-100

Application  
**2018 HR-V**

Publications No.  
**VERSION 1**

Issue Date  
**JUL 2017**

## PARTS LIST

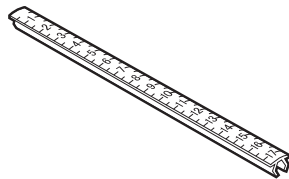
Front crossbar (With deflectors)



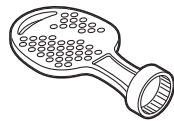
Rear crossbar



4 Moldings



2 Keys



2 Right protective tapes



2 Left protective tapes



8 Collars



## TOOLS AND SUPPLIES REQUIRED

Masking tape

Utility knife

Ruler

Isopropyl alcohol

Shop towel

*The following tools are available through the Honda Tool and Equipment Program. On the iN, click on: Service > Service Bay > Tool and Equipment Program, then enter the number under "Search." Or, call 888-424-6857.*

- Trim Tool Set (T/N SOJATP2014)
- Plastic Tool Set (T/N SILTRIMTL10)

## Illustration of the Crossbars Installed on the Vehicle



QD51113AH

## INSTALLATION

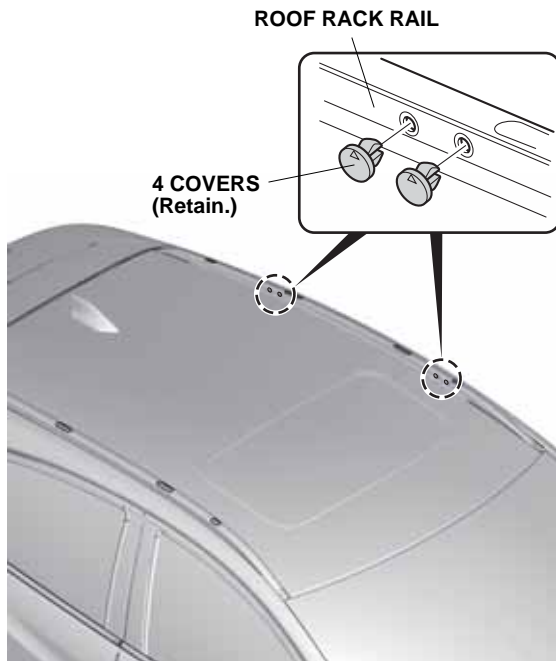
**Customer Information:** The information in this Installation Instruction is intended for use only by skilled technicians who have the proper tools, equipment, and training to correctly and safely add equipment to your vehicle. These procedures should not be attempted by “do-it-yourselfers.”

### NOTE:

- The weight of the cargo must not exceed the maximum weight capacity of 75 kg (165 lbs).
- Be careful not to damage the roof and other finished surfaces of the body when installing the crossbars.

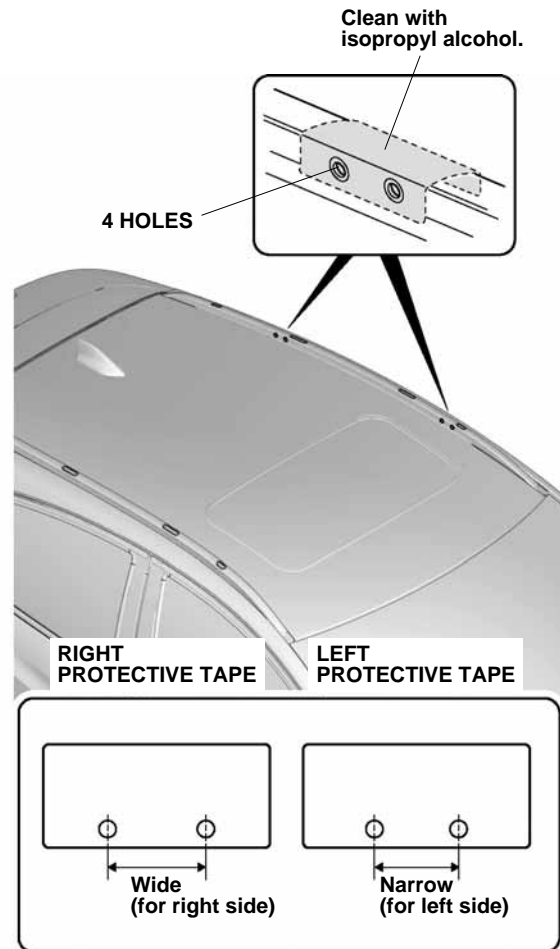
### Installing the Crossbars

1. Remove the four covers from the left roof rack rail.



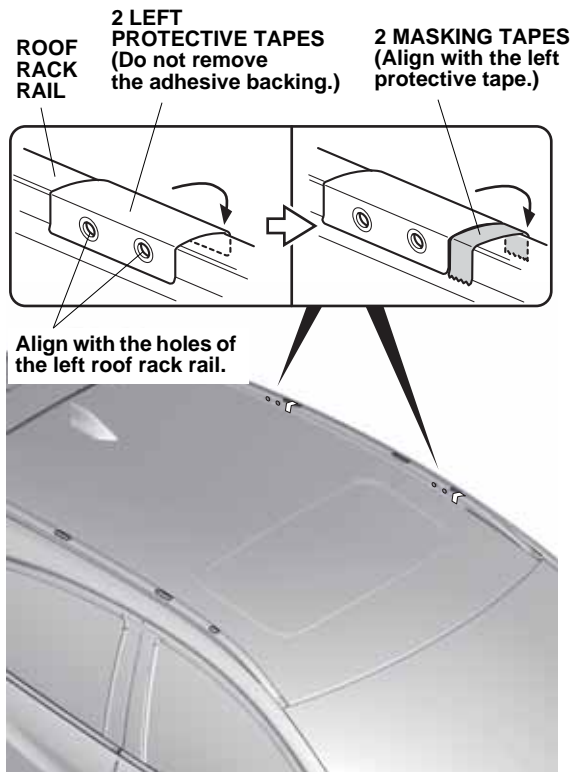
QD51101AH

2. Using isopropyl alcohol on a shop towel, thoroughly clean the areas where the left protective tape will attach.



QD51102BH

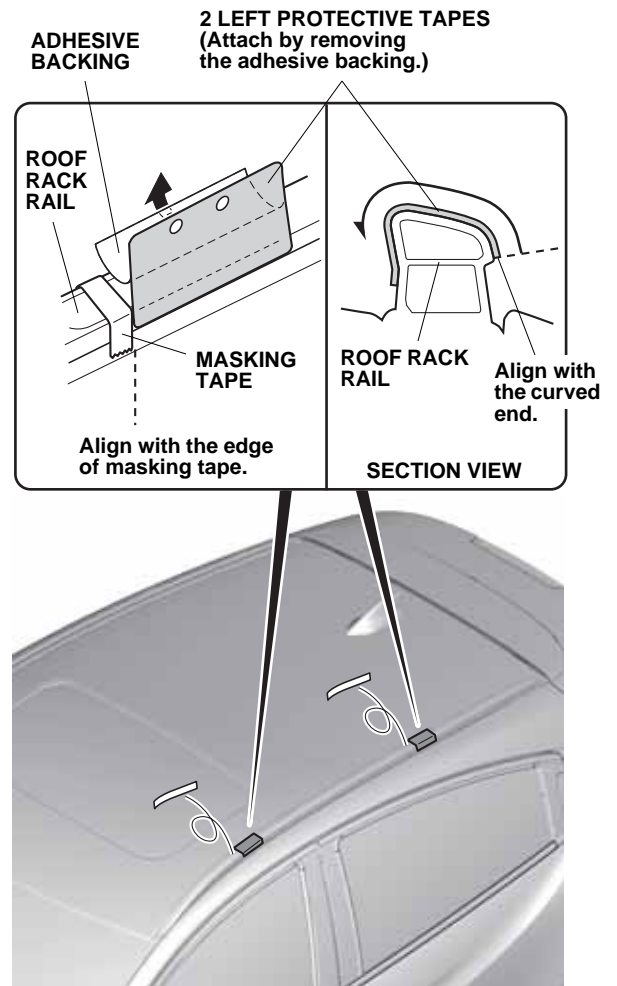
- Align the left protective tape on the left roof rack rail, and attach masking tape to the left roof rack rail as shown.



QD51103AH

- Remove the left protective tape.

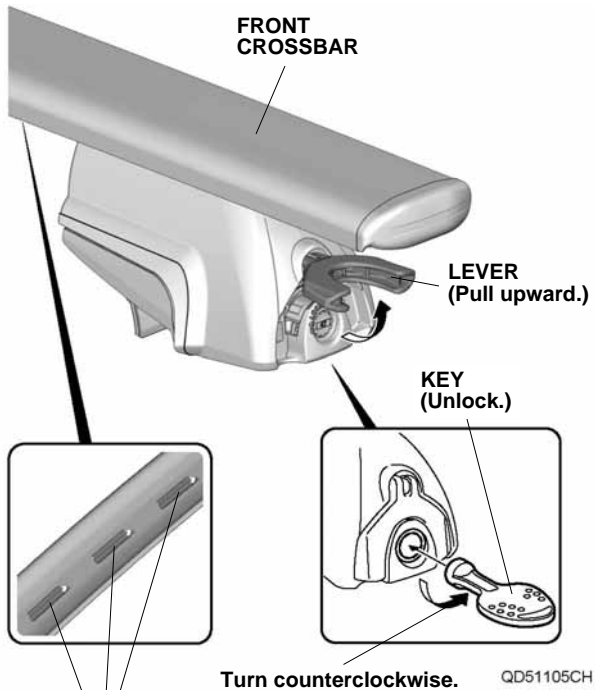
- Remove the adhesive backing and attach the left protective tapes to the roof rack rail.



QD51104AH

- Remove the masking tapes.
- Repeat steps 1 through 6 to attach the right side protective tapes.

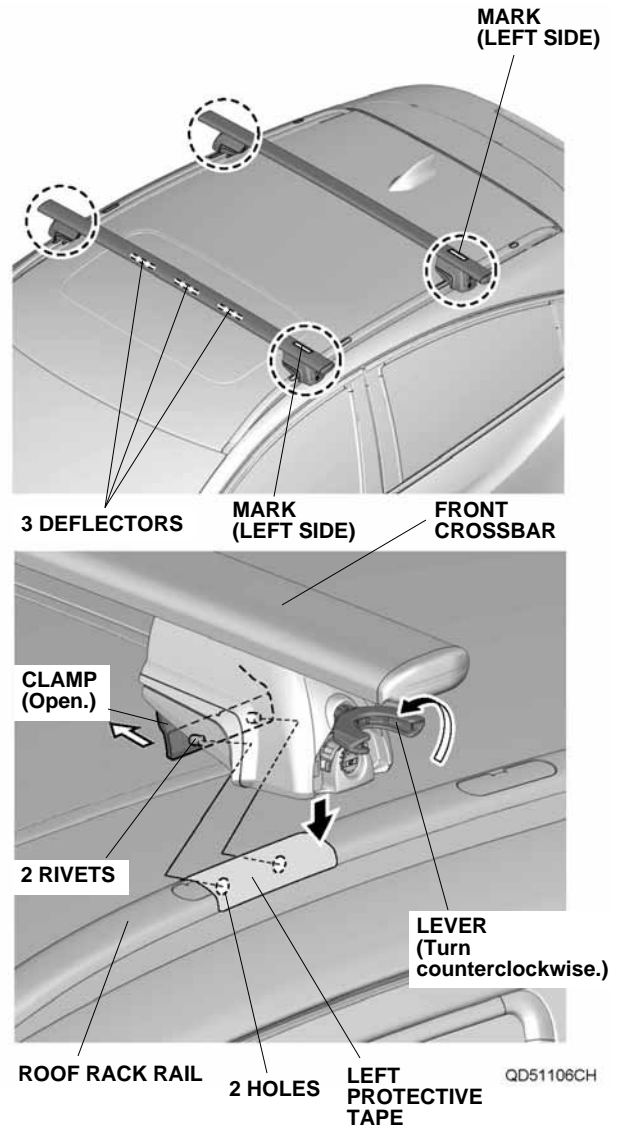
8. Make sure that the deflectors are attached on the front crossbar. Unlock the crossbar and pull the lever upward. Repeat on the other side.



**3 DEFLECTORS (front only)**

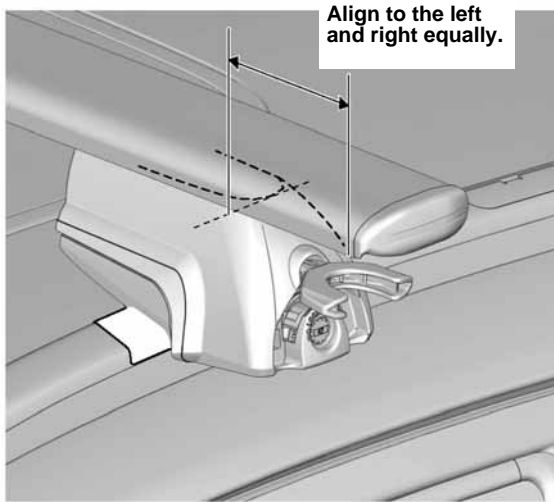
9. Repeat step 8 on the rear crossbar.

10. Open the clamps by turning the levers counterclockwise.



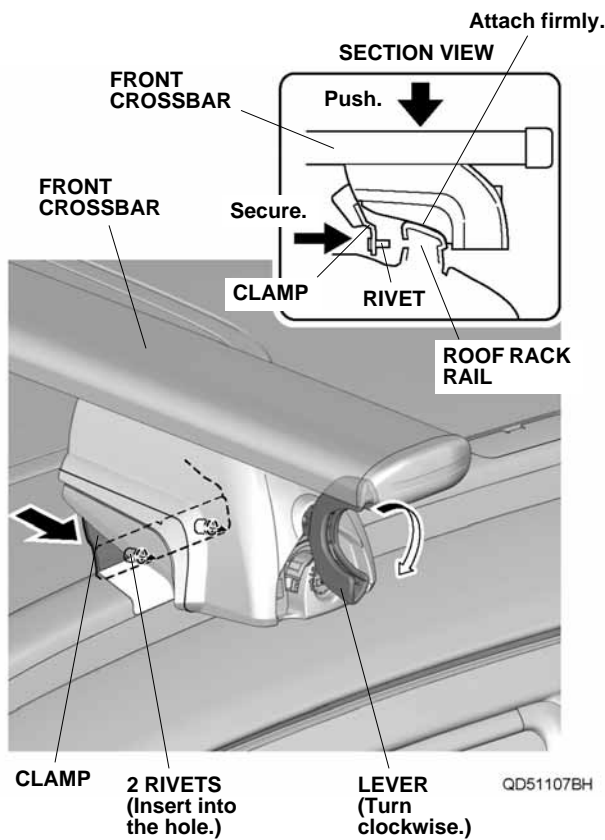
11. Align each rivet with the holes on the roof rack rail, and position the front crossbar. Make sure the crossbar is on the protective tapes.

12. Align the left and right ends of the crossbar equally.



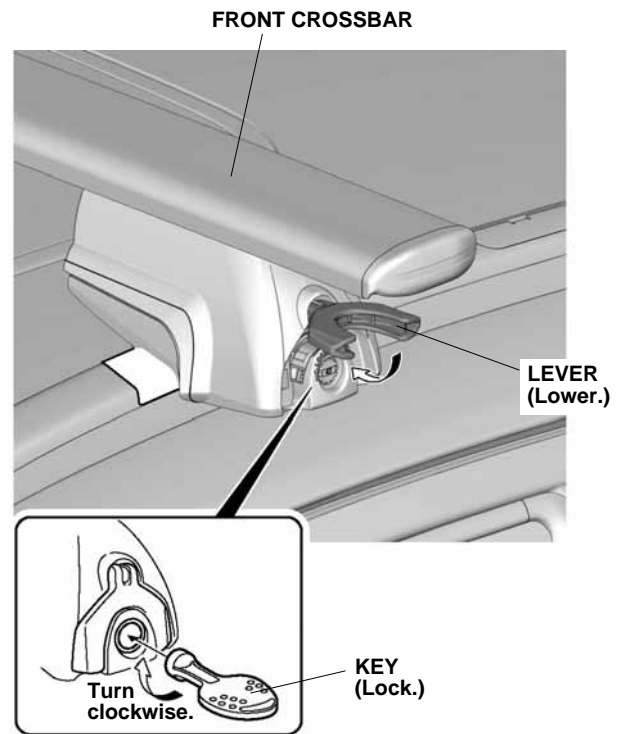
QDN1701AH

13. Repeat steps 10 through 12 on the rear crossbar.
14. Make sure the rivets are insert into the holes on the roof rack rails, then secure the crossbar by turning the lever clockwise until tight. Now repeat on the other side.



QD51107BH

15. Lower the lever, and lock with key. Repeat on the other side.

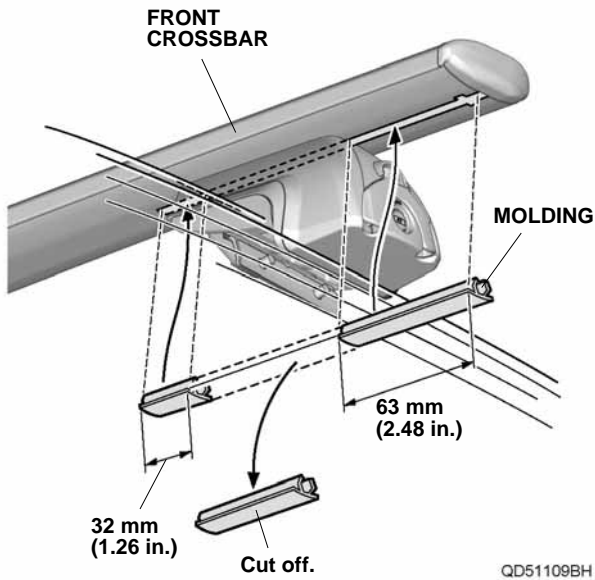


QD51108BH

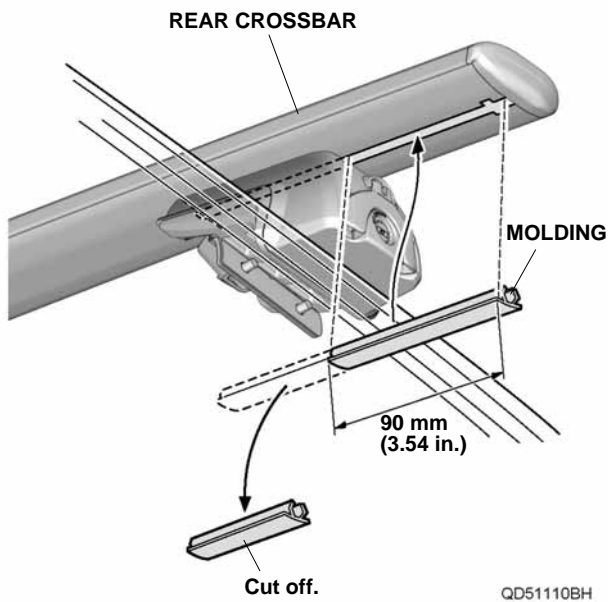
16. Repeat steps 14 and 15 on the rear crossbar.

17. Using a utility knife, cut each molding as shown, and install it in the crossbar. Repeat on the other side.

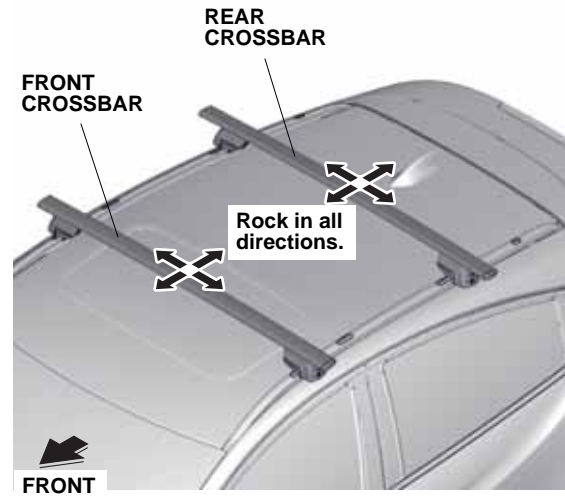
Front Crossbar:



Rear Crossbar:

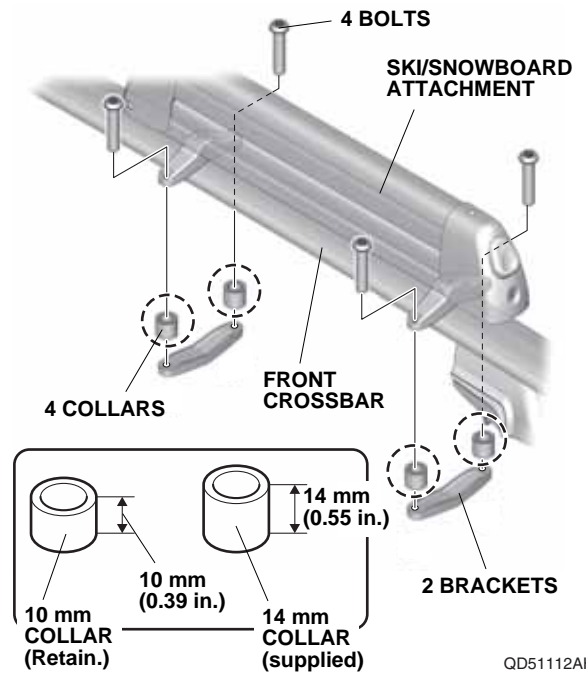


18. Check that the crossbars are mounted on the roof rack rails securely.



### With Ski/Snowboard Attachment

If you are also installing the ski/snowboard attachment (sold separately), install 14 mm collars included in this kit instead of 10 mm collars as described in the Installation Instructions for the ski/snowboard attachment.



## **USE AND CARE**

- Check the crossbar mounting levers frequently, and re-tighten if necessary.
- Distribute the weight of the cargo evenly, and do not exceed the maximum weight capacity of 75 kg (165 lbs).