



# INSTALLATION INSTRUCTIONS

Accessory  
**REMOTE CONTROL ENGINE STARTER**

Application  
**2017 ODYSSEY**

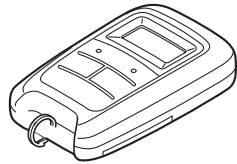
Publications No.  
**VERSION 1**

Issue Date  
**DEC 2016**

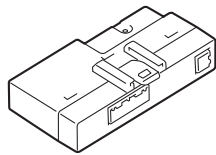
## PARTS LIST

### Remote Engine Starter Unit Kit P/N 08E91-E54-100

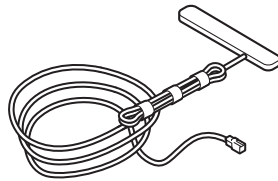
Transmitter



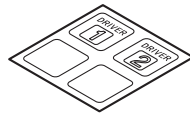
Control unit



Antenna

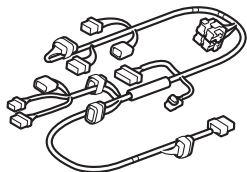


ID label

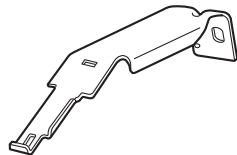


### Remote Control Engine Starter Attachment Kit P/N 08E92-TK8-100A

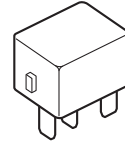
Engine starter harness



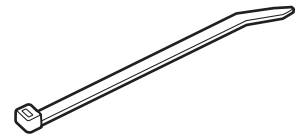
Control unit bracket



3 Relays



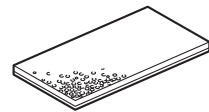
23 Wire ties



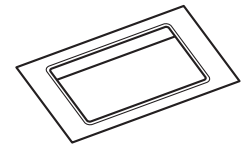
Aluminum tape



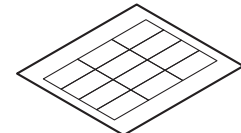
4 Urethane tapes



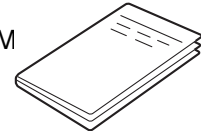
Caution label



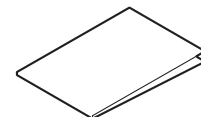
Fuse label



Accessory User's Information M



Quick Start Guide



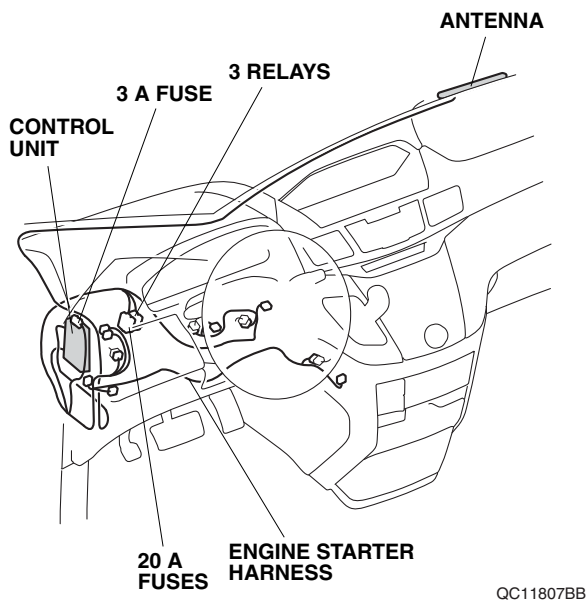
## TOOLS AND SUPPLIES REQUIRED

Phillips screwdriver  
Flat-tip screwdriver  
Diagonal cutters  
Ratchet  
8 mm, 10 mm, and 12 mm Sockets  
10 mm Open end wrench  
Isopropyl alcohol  
Scissors  
Shop towel  
Ruler  
Tape measure  
HDS/MVCI  
Torque wrench  
Masking tape  
Felt-tip pen

*The following tools are available through the Honda Tool and Equipment Program. On the iN, click on: Service > Service Bay > Tool and Equipment Program, then enter the number under "Search". Or, call 888-424-6857.*

- Trim Tool Set (T/N SOJATP2014)
- Plastic Trim Tool (T/N SILTRIMTL10)

### ***Illustration of the Remote Control Engine Starter Installed on the Vehicle***

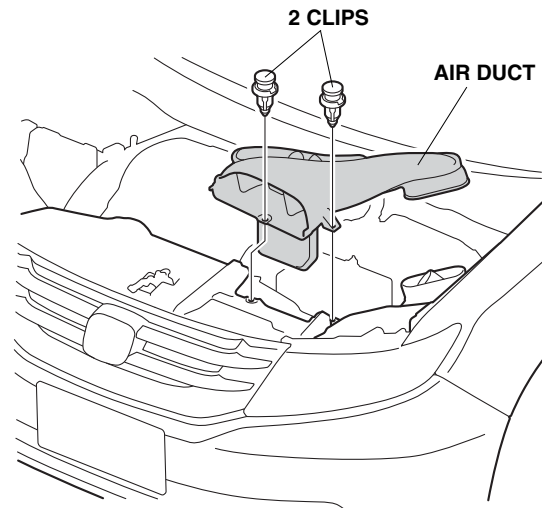


## INSTALLATION

**Customer Information:** The information in this installation instruction is intended for use only by skilled technicians who have the proper tools, equipment, and training to correctly and safely add equipment to your vehicle. These procedures should not be attempted by "do-it-yourselfers."

**NOTE:** This antenna should only be installed if the ambient air temperature 15°C (60°F) or above.

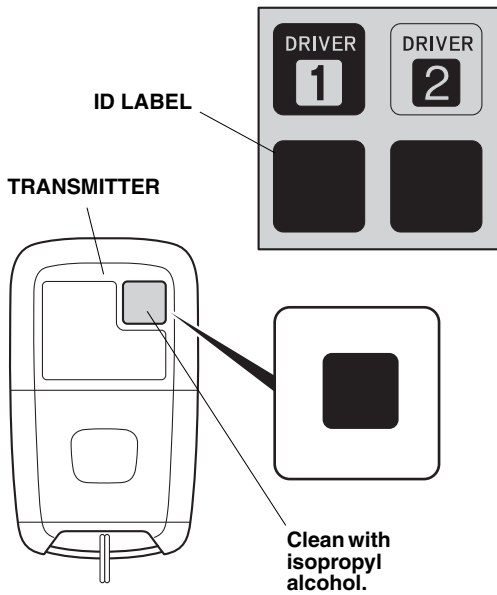
1. Move the driver's seat all the way back.
2. Open the hood and remove the air duct.



3. Disconnect the negative cable from the battery, then wait at least 3 minutes before starting work.

4. Attach the ID label.

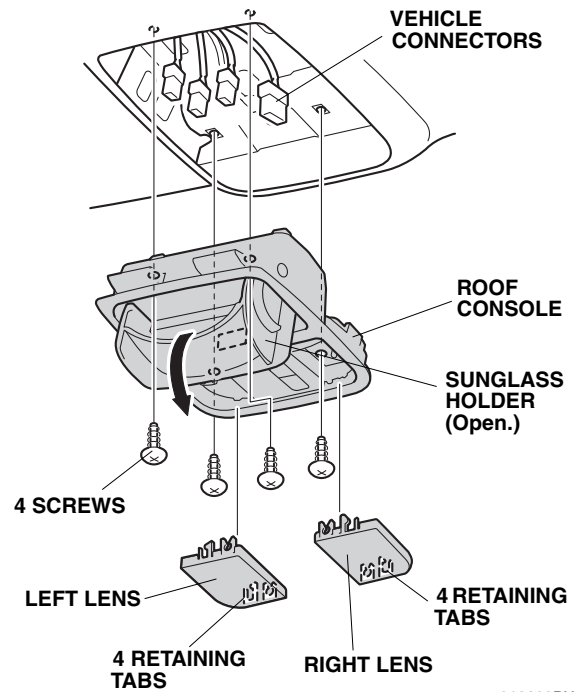
- Using isopropyl alcohol on a shop towel, clean the area where the ID label will attach.
- Attach the ID label to the transmitter in the area as shown.



QBD0601AE

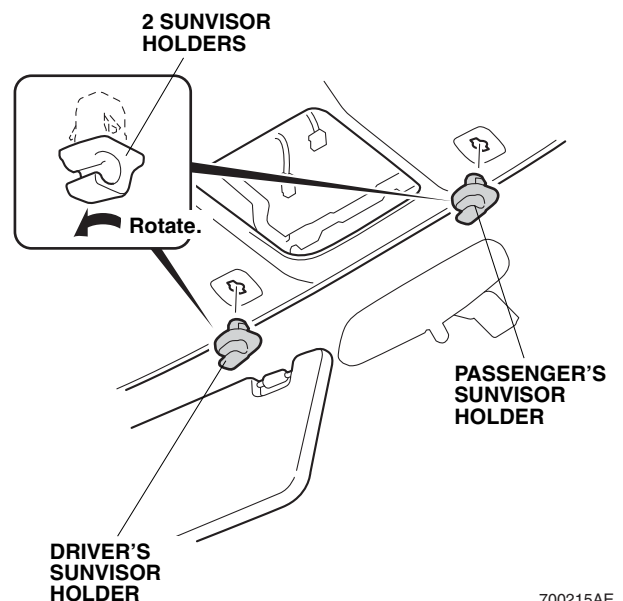
5. Remove the roof console.

- Using a small flat-tip screwdriver wrapped with a shop towel, pry out and remove the left and right lens.
- Open the sunglass holder and remove the four screws.
- Remove the roof console and unplug the vehicle connectors.



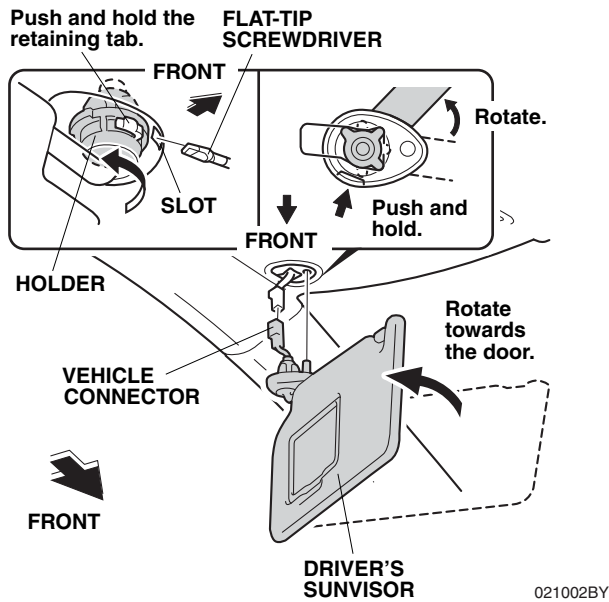
012802BX

6. Rotate the sunvisor holders 45° counterclockwise and remove the two sunvisor holders.

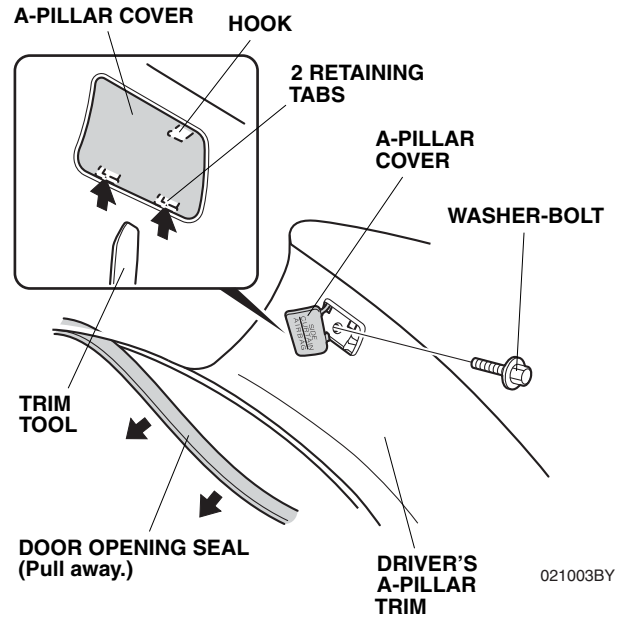


700215AE

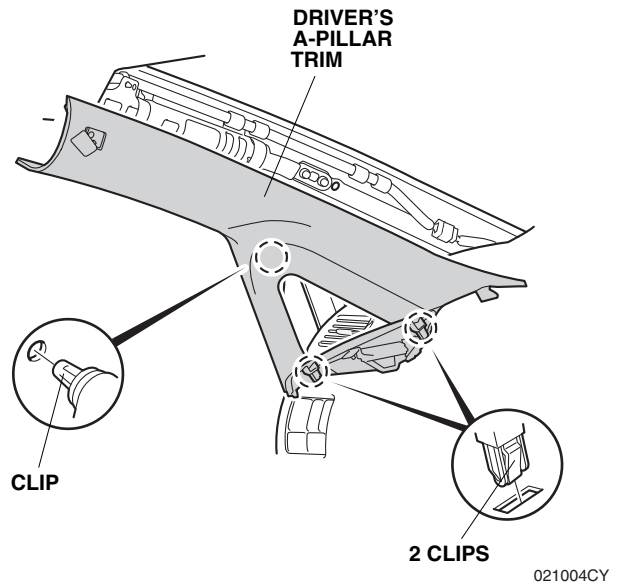
7. Remove the driver's sunvisor.
  - Turn the sunvisor toward the driver's seat.
  - Locate the slot in the sunvisor holder, and insert a flat-tip screwdriver into the slot. Push in and hold the retaining tab.
  - While holding the retaining tab, push up on the sunvisor and rotate toward the door to remove. **NOTE:** If the retaining tab did not stay pushed in, return the driver's sunvisor to its original position and repeat the above steps.
  - Remove the driver's sunvisor (unplug the vehicle connector).



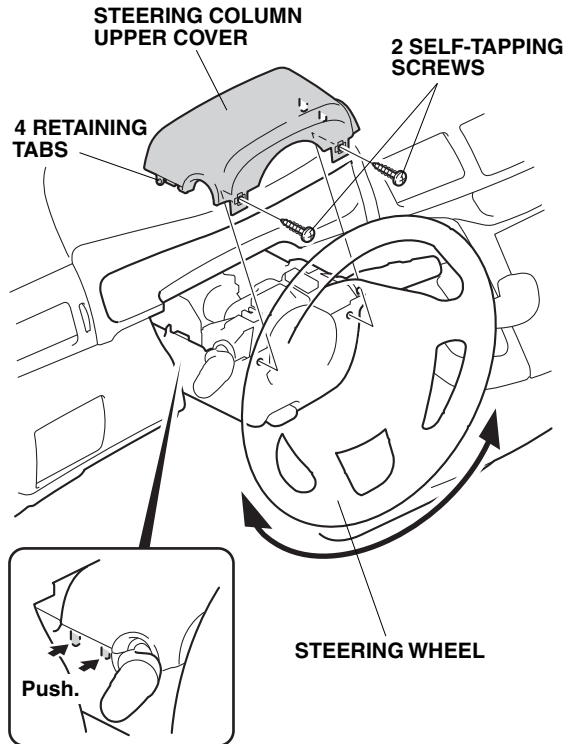
8. Pull away the door opening seal from around the driver's A-pillar trim. Using a trim tool, remove the A-pillar cover.



9. Remove the washer-bolt from the driver's A-pillar.
10. Remove the driver's A-pillar trim.

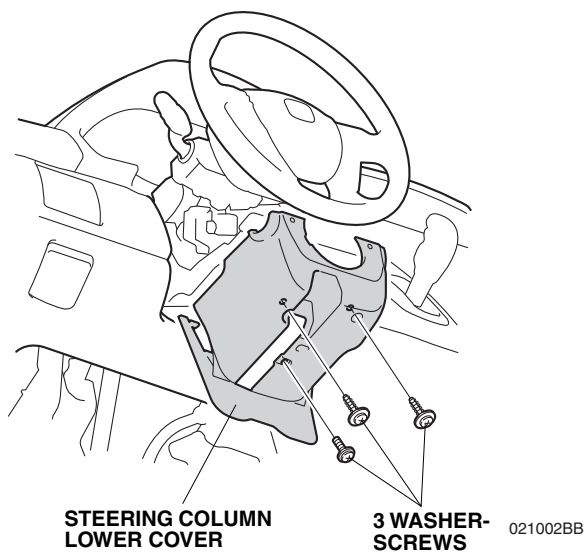


11. Lower the tilt lever and pull down the steering wheel.



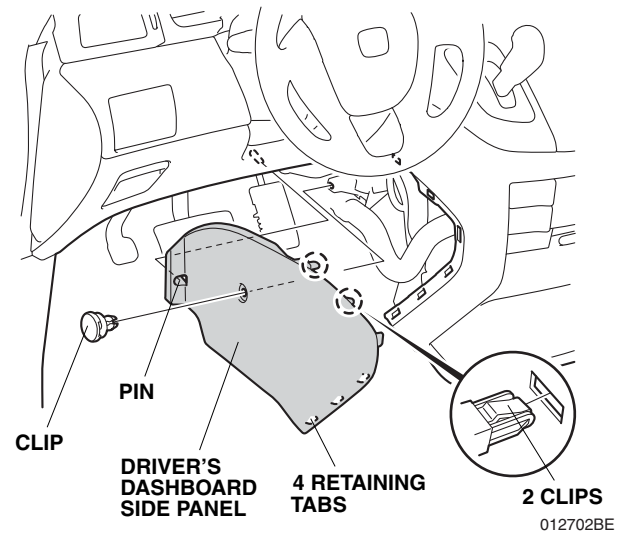
021001AB

12. Remove the steering column upper cover.  
NOTE: Adjust the angle of the steering wheel (right or left) to access each self-tapping screw.
13. Remove the steering column lower cover.



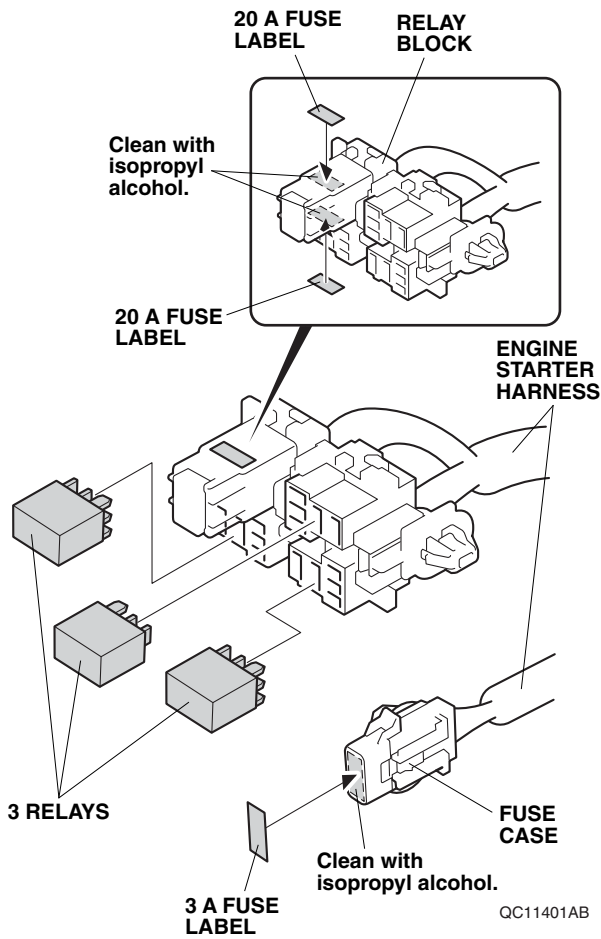
021002BB

14. Remove the driver's dashboard side panel.



## Routing the Engine Starter Harness

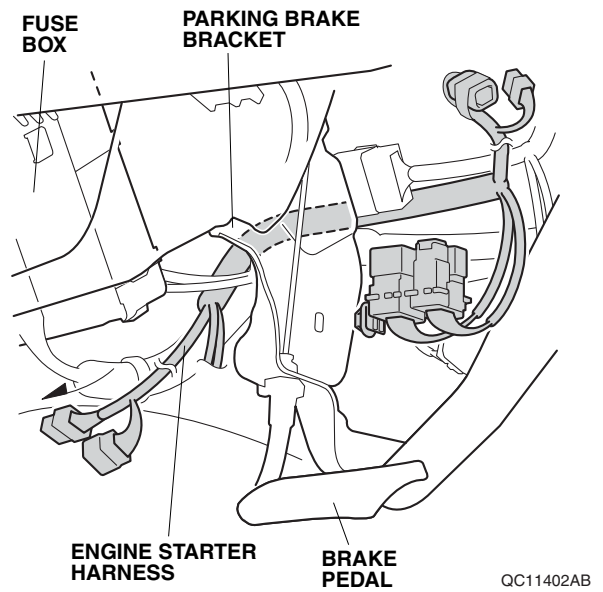
- Using isopropyl alcohol on a shop towel, thoroughly clean the fuse block and the fuse case where the 20 A fuse labels and 3 A fuse label will attach.



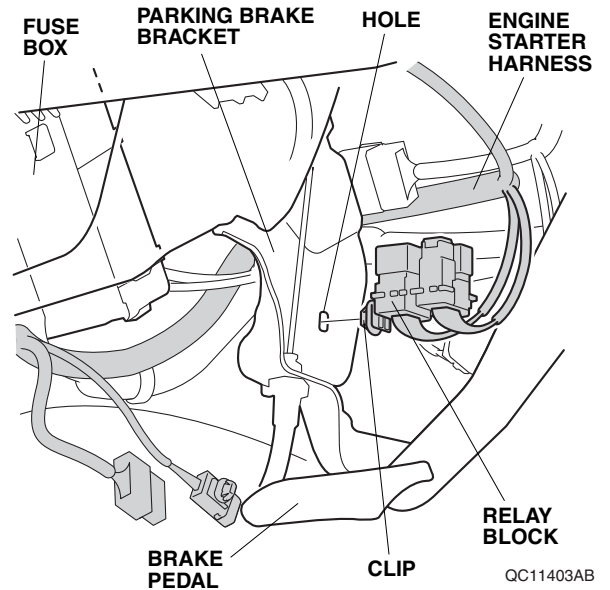
- Attach the 20 A fuse labels, and the 3 A fuse label to the fuse block, and the fuse case on the engine starter harness.

- Plug three relays into the relay block on the engine starter harness.

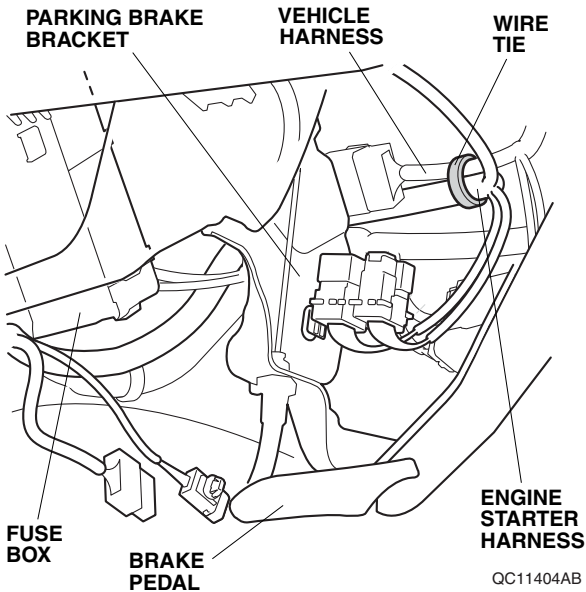
- Route the engine starter harness under the dashboard as shown.



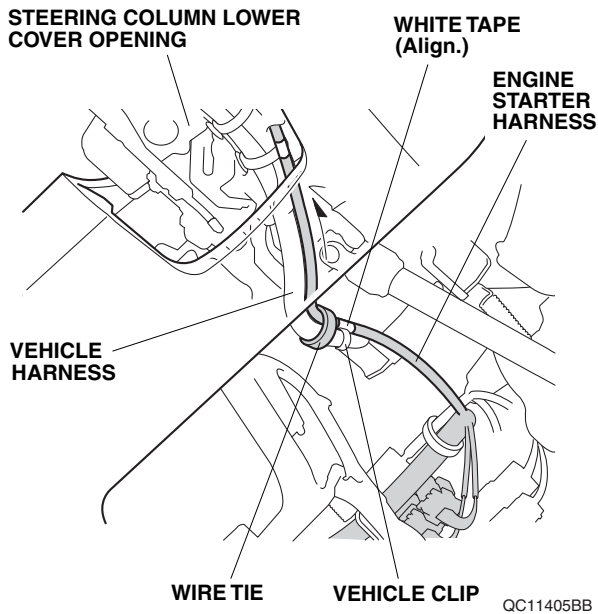
- Secure the clip from the engine starter harness relay block to the hole in the parking brake bracket.



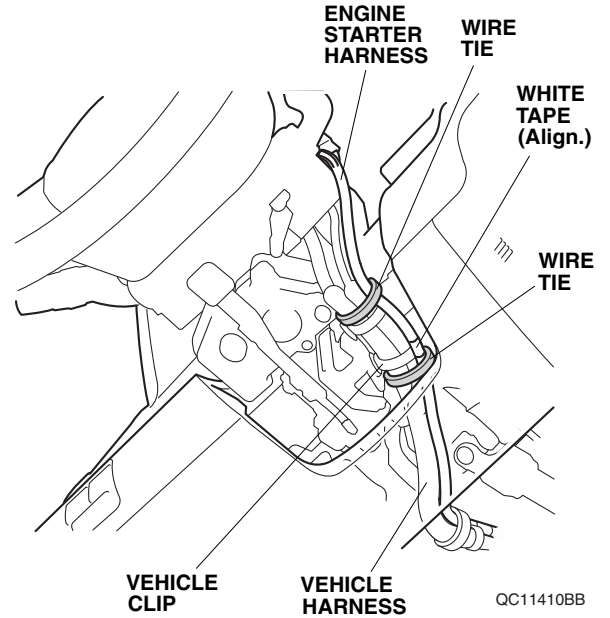
20. Secure the engine starter harness to the vehicle harness with one wire tie.



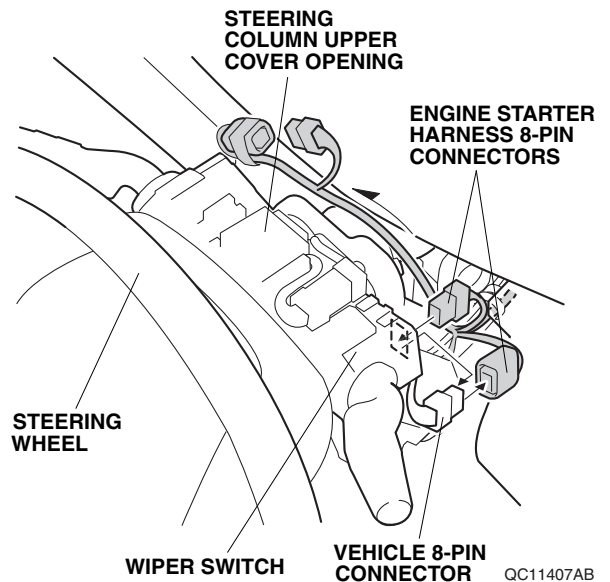
21. Align the white tape on the engine starter harness with the vehicle clip, and secure the engine starter harness to the vehicle harness with one wire tie.



22. Align the white tape on the engine starter harness with the vehicle clip, and secure the engine starter harness to the vehicle harness with one wire tie as shown.

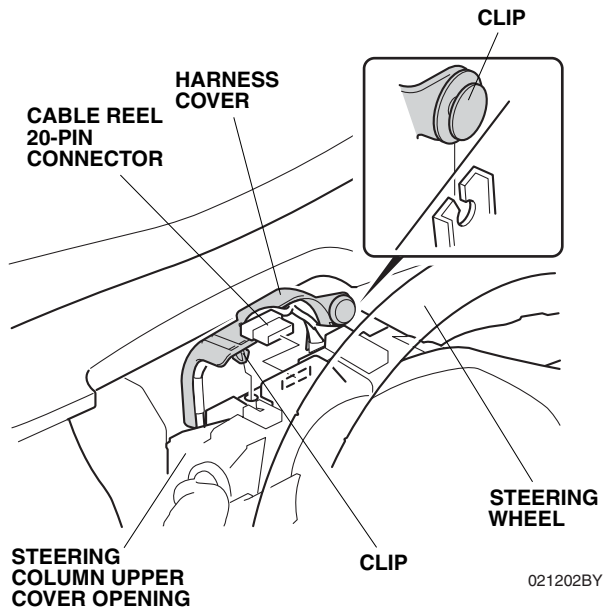


23. Secure the engine starter harness to the vehicle harness with one wire tie.
24. Route the engine starter harness up the steering column.

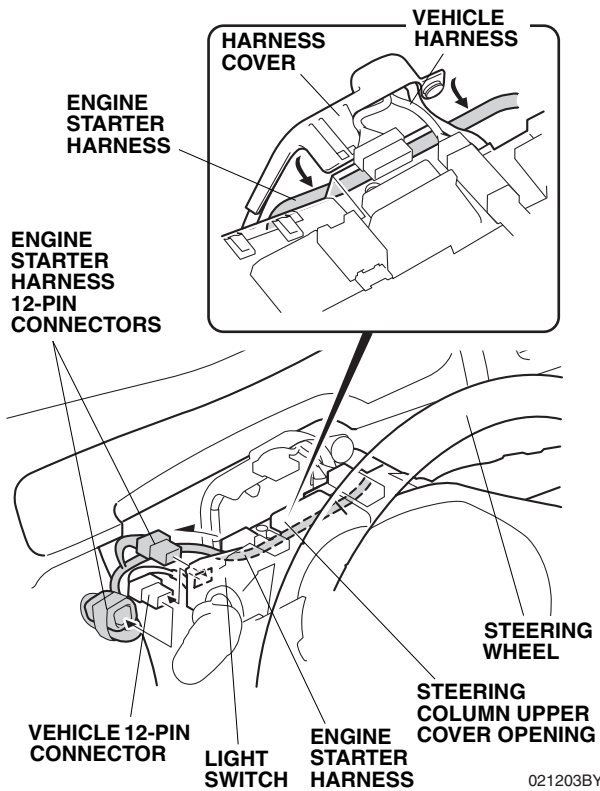


25. Unplug the vehicle 8-pin connector from the wiper switch, and plug it into the engine starter harness 8-pin connector. Plug the remaining engine starter harness 8-pin connector into the wiper switch.

26. Unplug the cable reel 20-pin connector, and release the harness cover.

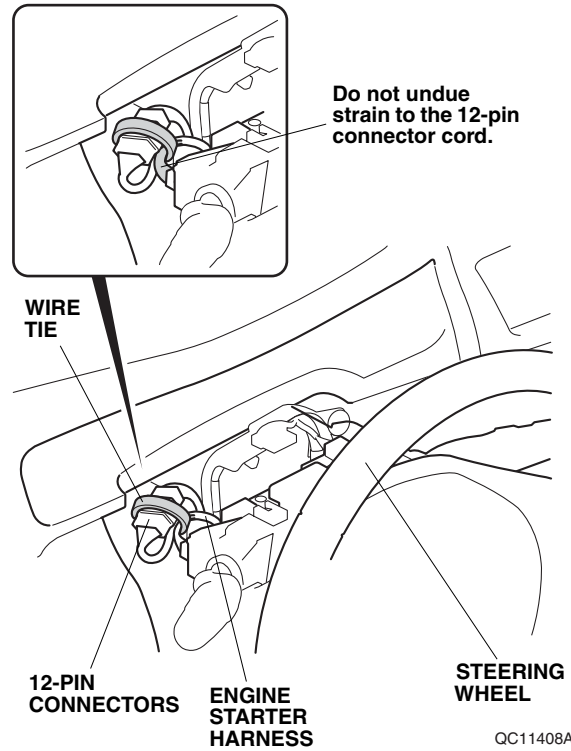


27. Route the engine starter harness through the steering column area as shown.



28. Unplug the vehicle 12-pin connector from the light switch, and plug it into the engine starter harness 12-pin connector. Plug the remaining engine starter harness 12-pin connector into the light switch.

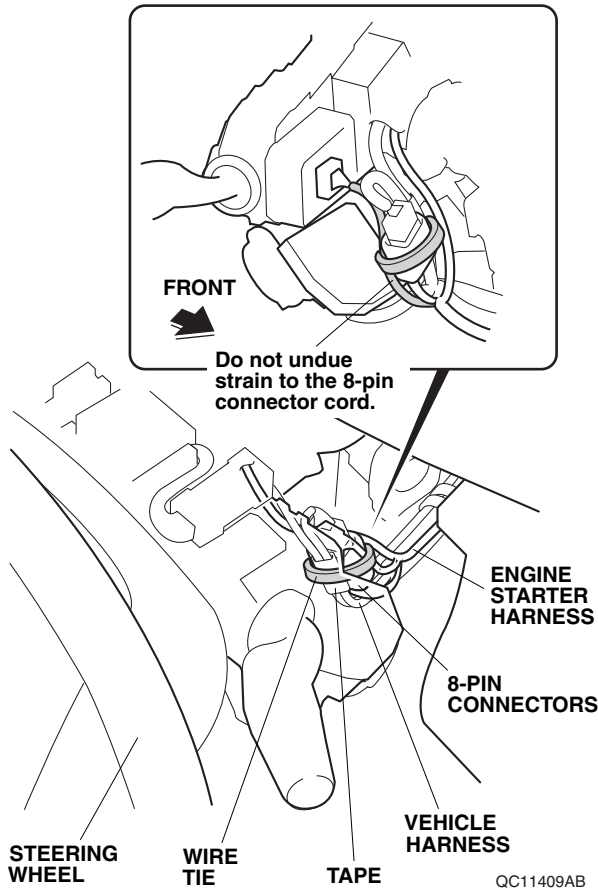
29. Secure the 12-pin connectors and the engine starter harness with one wire tie.



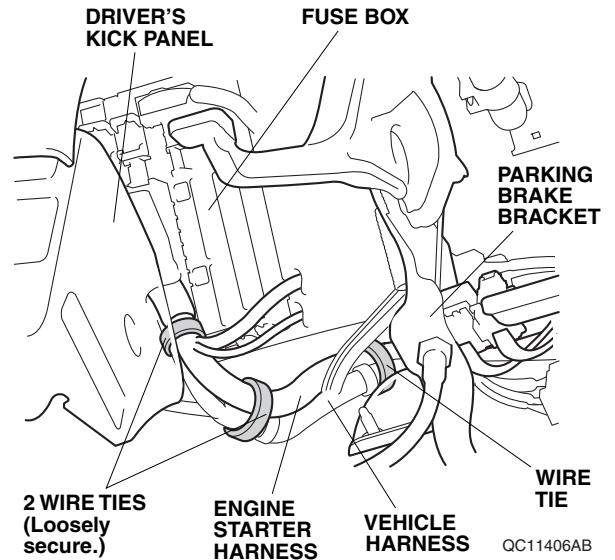
30. Install the harness cover, and re-plug the cable reel 20-pin connector unplugged in step 26.



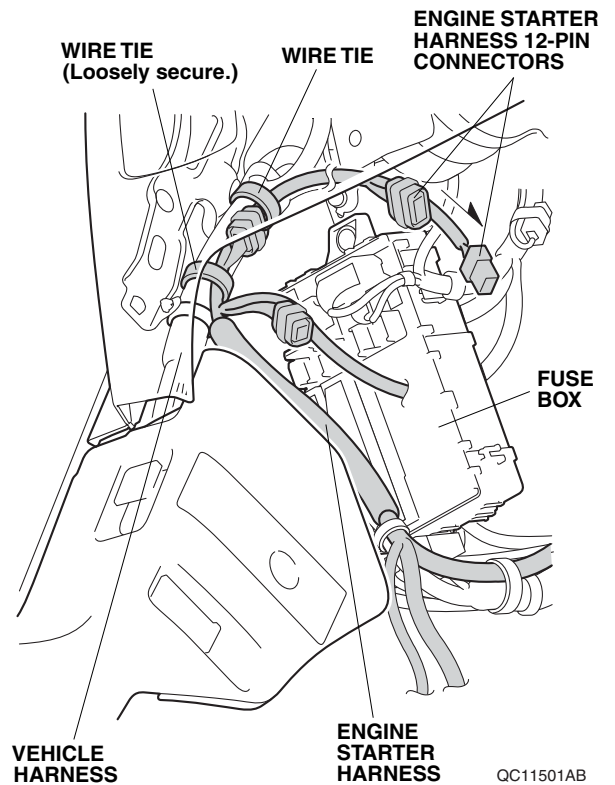
31. Secure the 8-pin connector and engine starter harness to the vehicle harness with one wire tie as shown.  
 NOTE: Make sure that the connectors and harness are not pinched, or interfering the steering wheel when moved for adjustment.



32. Secure the engine starter harness to the vehicle harness with one wire tie.

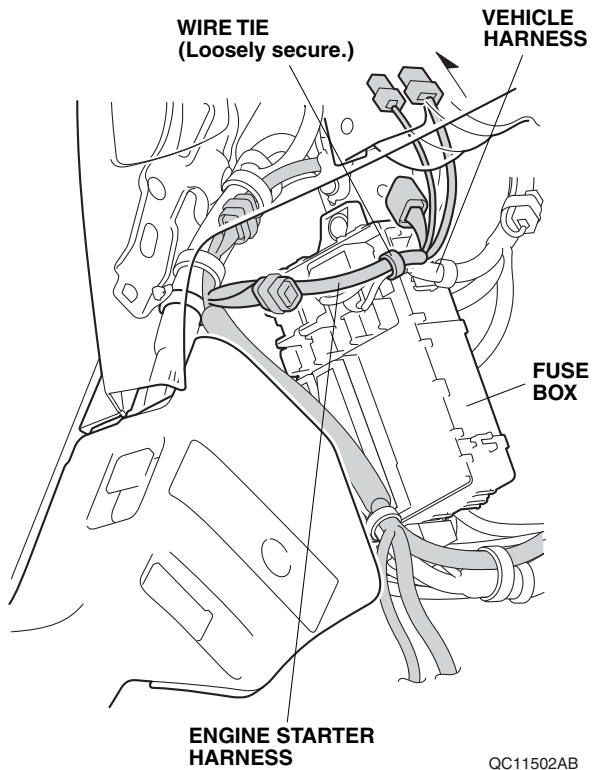


33. Loosely secure the engine starter harness to the vehicle harness with two wire ties.  
 34. Route the engine starter harness up, and loosely secure it to the vehicle harness with one wire tie.

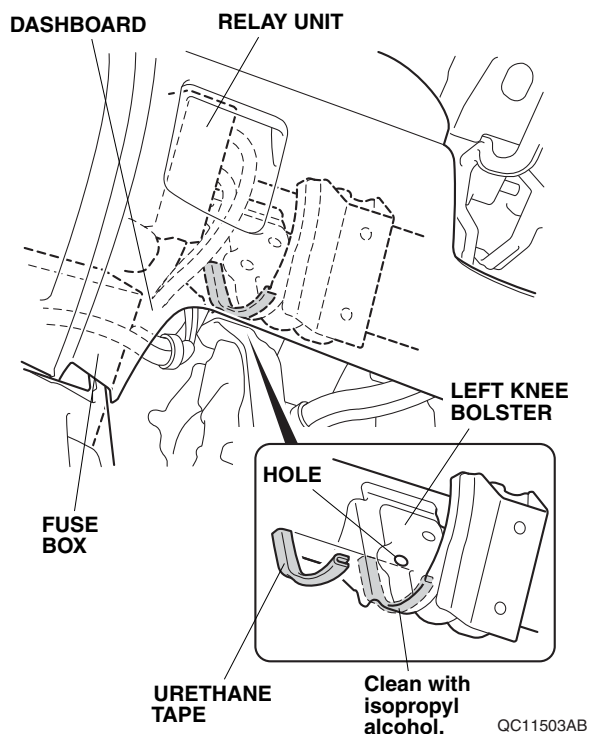


35. Secure the engine starter harness to the vehicle harness with one wire tie.

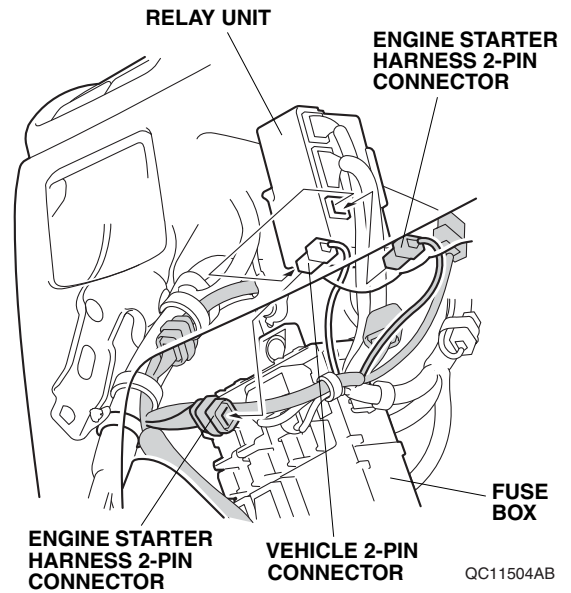
36. Route the engine starter harness, and loosely secure it to the vehicle harness with one wire tie.



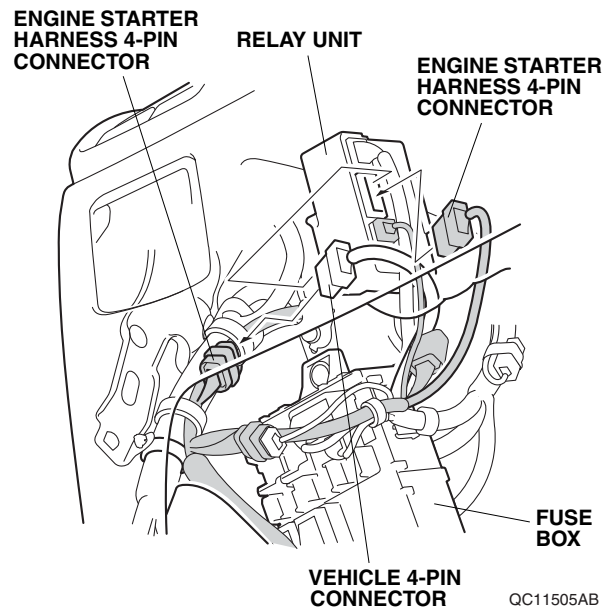
37. Using isopropyl alcohol on a shop towel, thoroughly clean the left knee bolster where the urethane tape will attach. Attach the one urethane tape to the left knee bolster as shown.



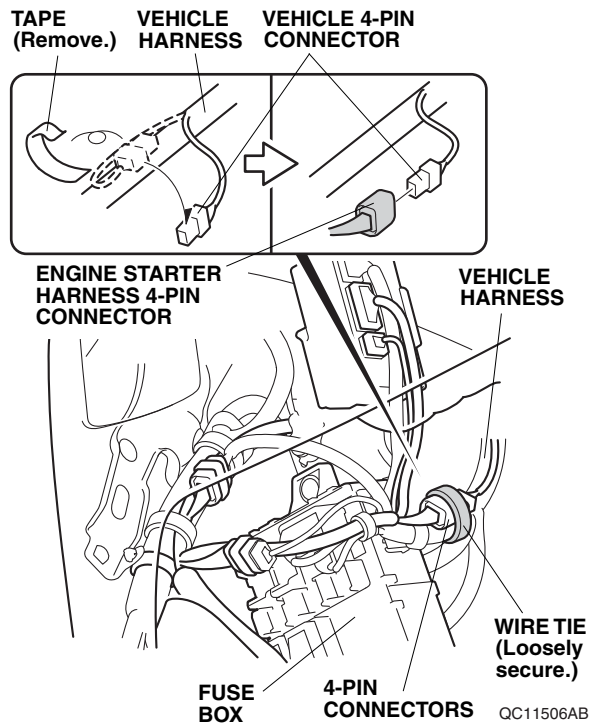
38. Unplug the vehicle 2-pin connector from the relay unit, and plug it into the engine starter harness 2-pin connector. Plug the remaining engine starter harness 2-pin connector into the relay unit.



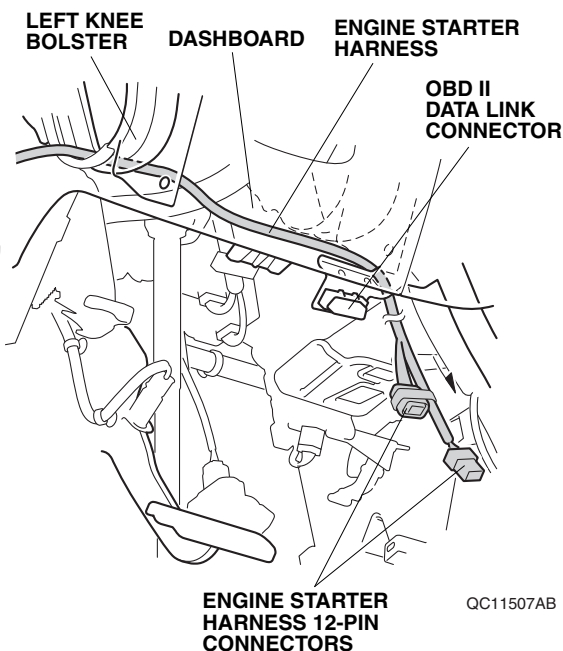
39. Unplug the vehicle 4-pin connector from the relay unit, and plug it into the engine starter harness 4-pin connector. Plug the remaining engine starter harness 4-pin connector into the relay unit.



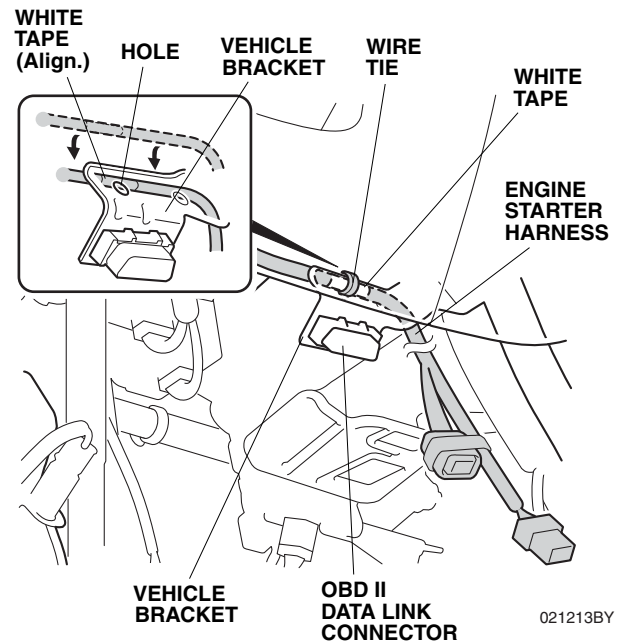
40. Locate the 4-pin connector taped to the vehicle harness, and remove the tape to release the connector. Plug the engine starter harness 4-pin connector into the vehicle 4-pin connector.



41. Loosely secure the 4-pin connectors to the vehicle harness with one wire tie.
42. Route the engine starter harness across the dashboard as shown.

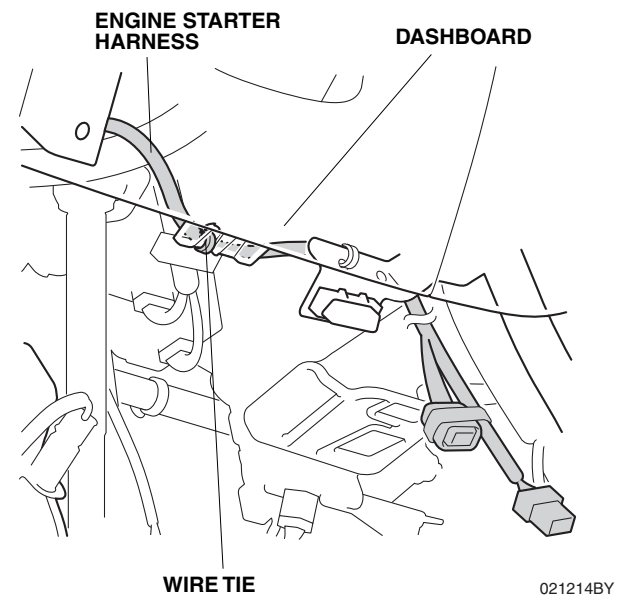


43. Align the white tape on the engine starter harness with the hole on the vehicle bracket, and secure the engine starter harness to the vehicle bracket with one wire tie.

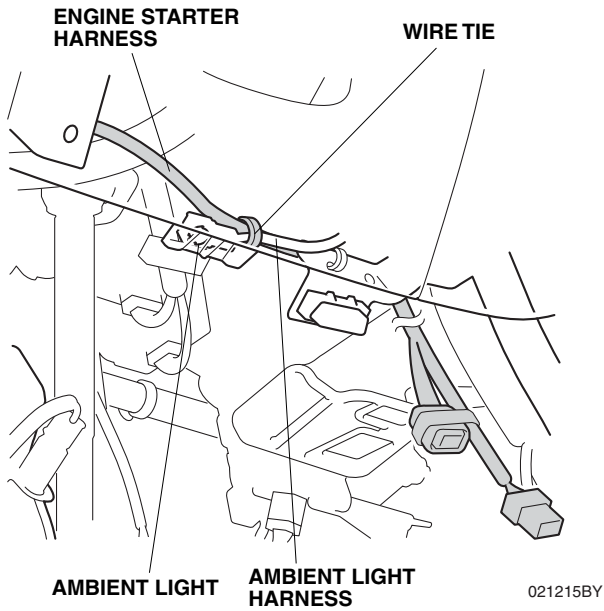


If the vehicle is equipped with the ambient light, go to step 45; otherwise, continue with step 44.

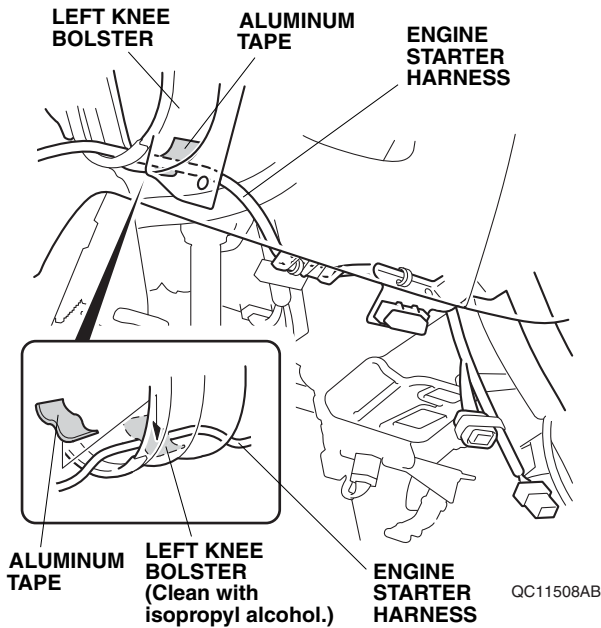
44. Secure the engine starter harness to the dashboard with one wire tie. Go to step 46.



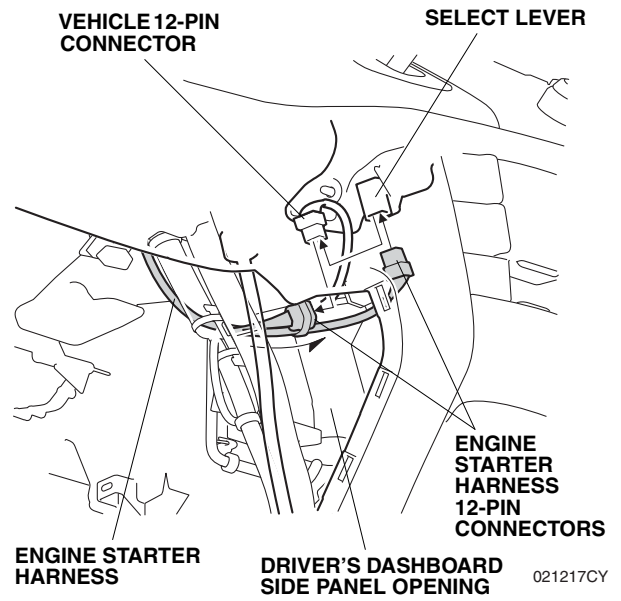
45. Secure the engine starter harness to the ambient light harness with one wire tie.



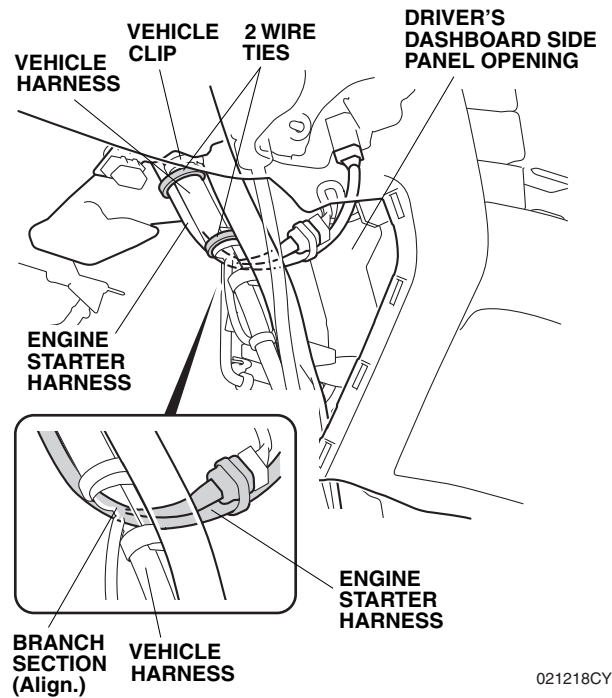
46. Using isopropyl alcohol on a shop towel, thoroughly clean the left knee bolster where the aluminum tape will attach. Attach the engine starter harness to the inside of the left knee bolster with the aluminum tape.



47. Continue routing the engine starter harness as shown.

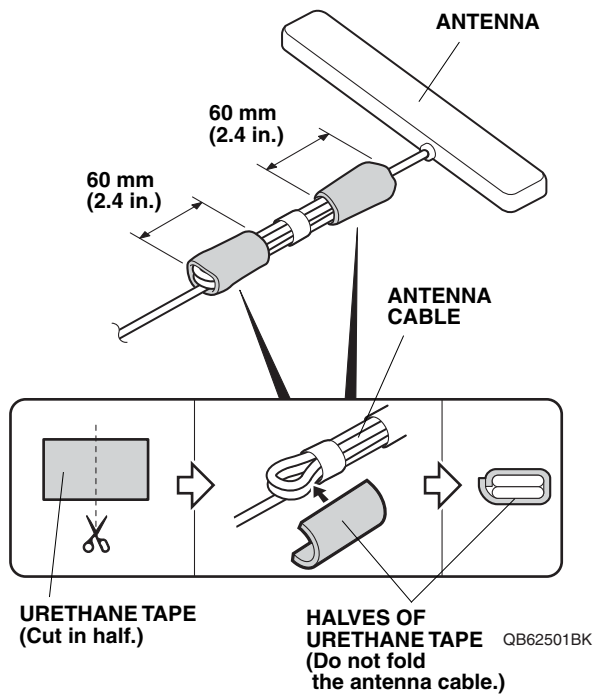


48. Unplug the vehicle 12-pin connector from the select lever, and plug it into the engine starter harness 12-pin connector. Plug the remaining engine starter harness 12-pin connector into the select lever.
49. Align the branch section of the engine starter harness to the branch section of the vehicle harness and secure the engine starter harness to the vehicle harness with two wire ties.

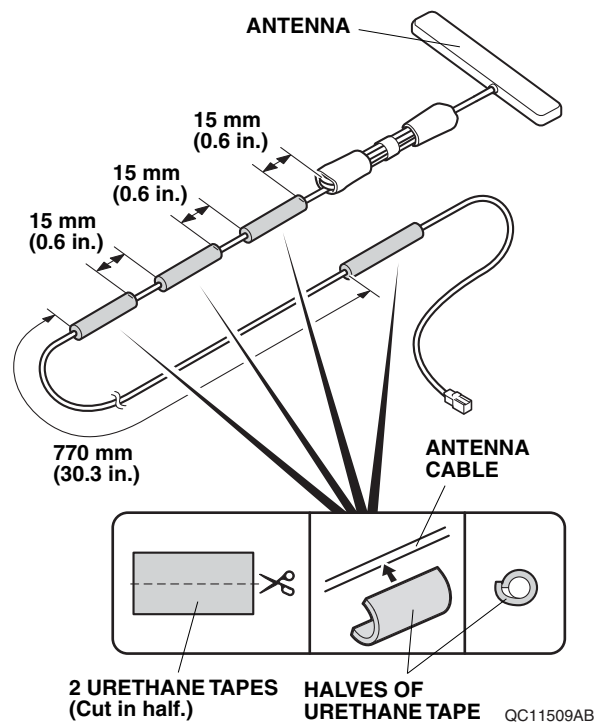


## Installing the Antenna

50. Using scissors, cut one urethane tape in half. Wrap two halves of urethane tape to the antenna cable as shown.



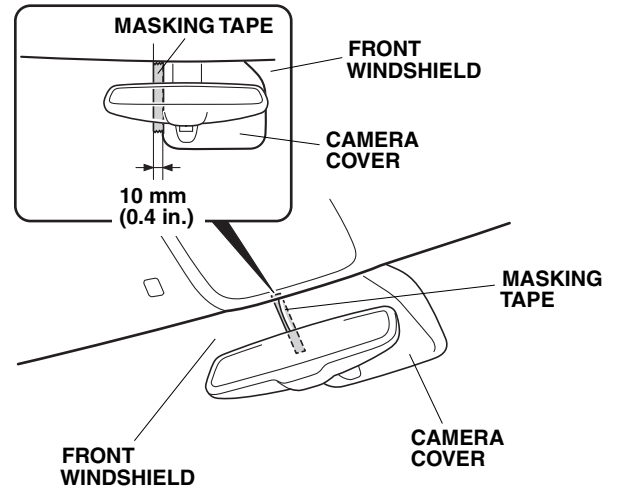
51. Using scissors, cut two urethane tapes in half. Wrap four halves of urethane tape around the antenna cable at the measurements shown.



52. Attach the antenna.

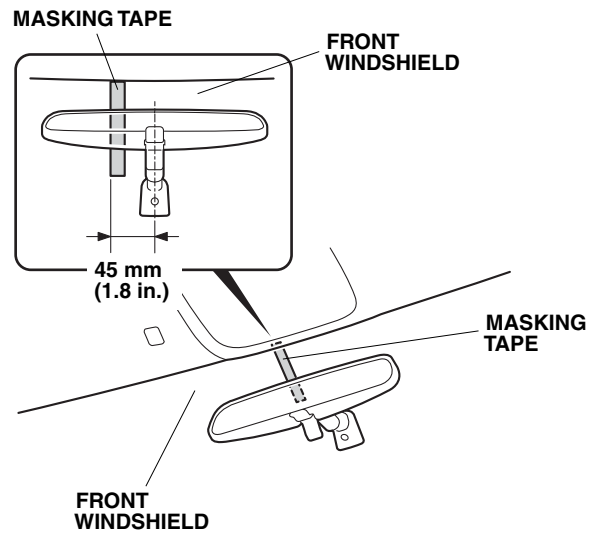
- Attach masking tape to the front windshield at the measurement shown.

### With Camera Cover



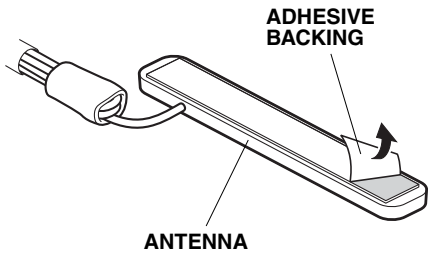
QC13116AX

### Without Camera Cover



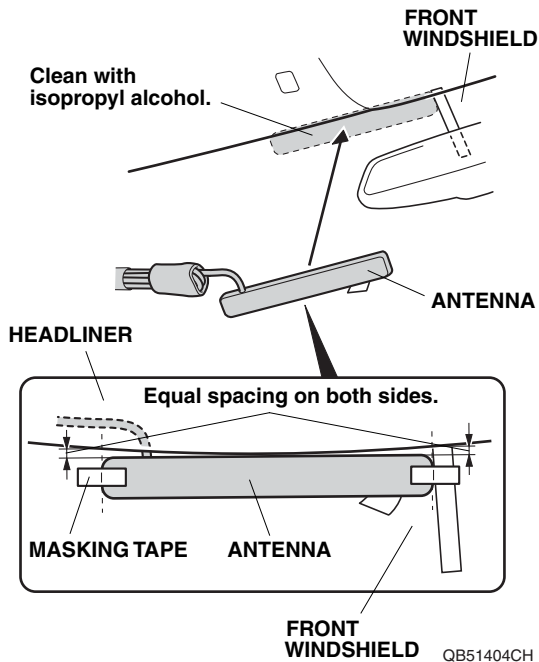
QC11702AB

- Fold the adhesive backing of the antenna as shown.

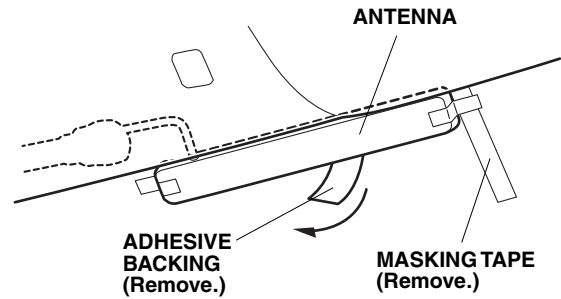


QB51401CH

- Using isopropyl alcohol on a shop towel, clean the windshield where the antenna will attach.
- Attach the antenna with masking tape. Adjust the position of the antenna so there is equal spacing on both sides.

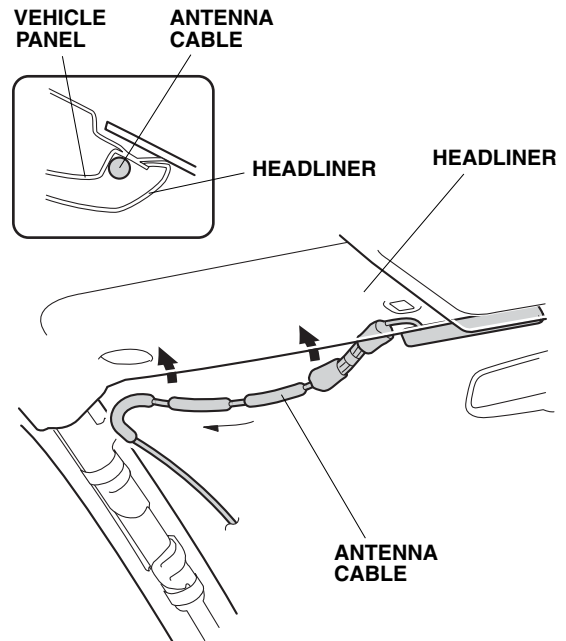


- Carefully remove the adhesive backing from the antenna, and attach the antenna to the windshield. Press and hold the antenna firmly in place for 30 seconds.
- Remove the masking tape.



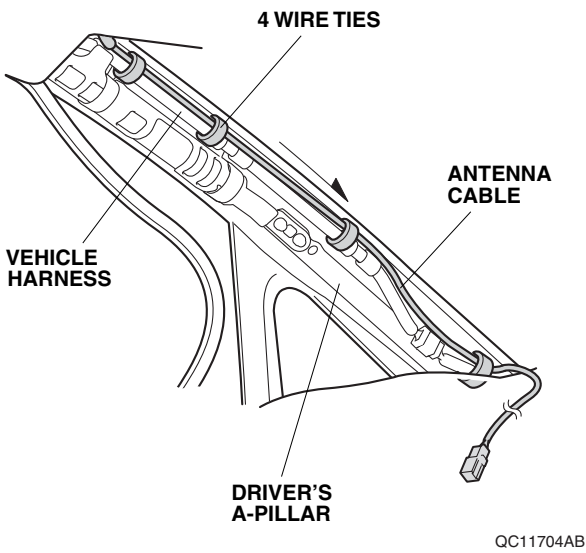
QB51405CH

53. Gently pull down the headliner, and tuck the antenna cable under the headliner. Be careful not to crease the headliner.

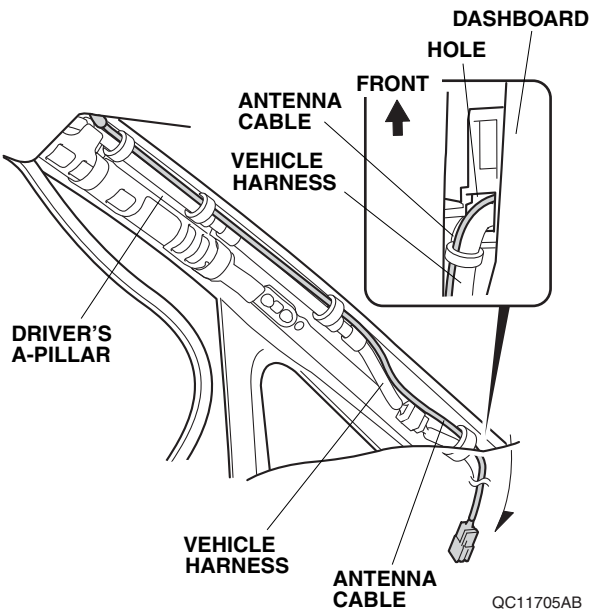


QC11703AB

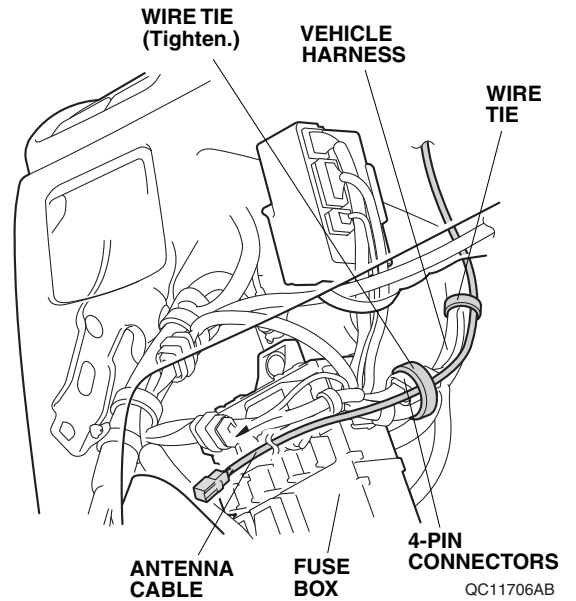
54. Route the antenna cable alongside the vehicle harness on the driver's a-pillar, and secure it to the vehicle harness with four wire ties.



55. Route the antenna cable down and under the dashboard as shown.

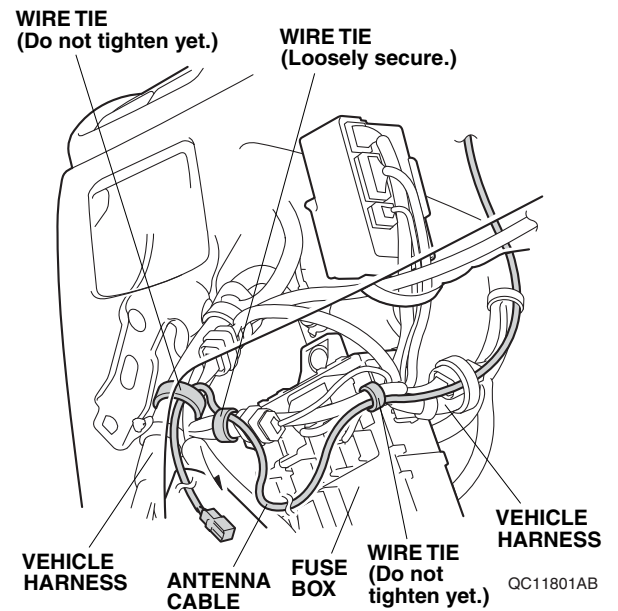


56. Route the antenna cable along the vehicle harness, and secure it to the vehicle harness with one wire tie.



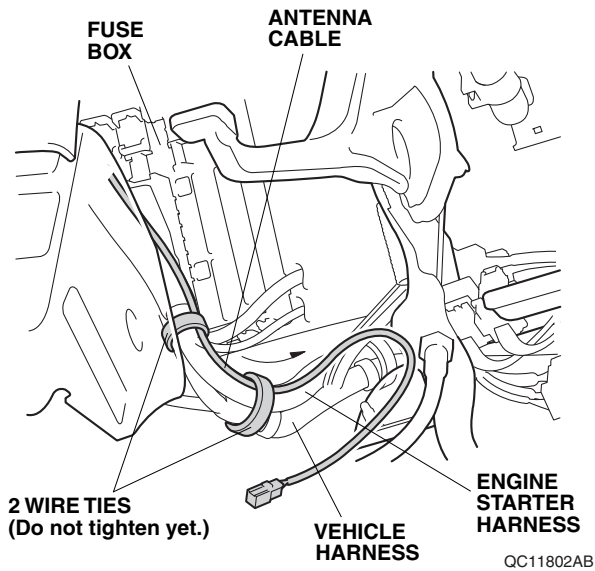
57. Route the antenna cable under the wire tie loosely secured in step 41, and tighten the wire tie.

58. Route the antenna cable along the engine starter harness, and under the two wire ties loosely secured in steps 34 and 36.



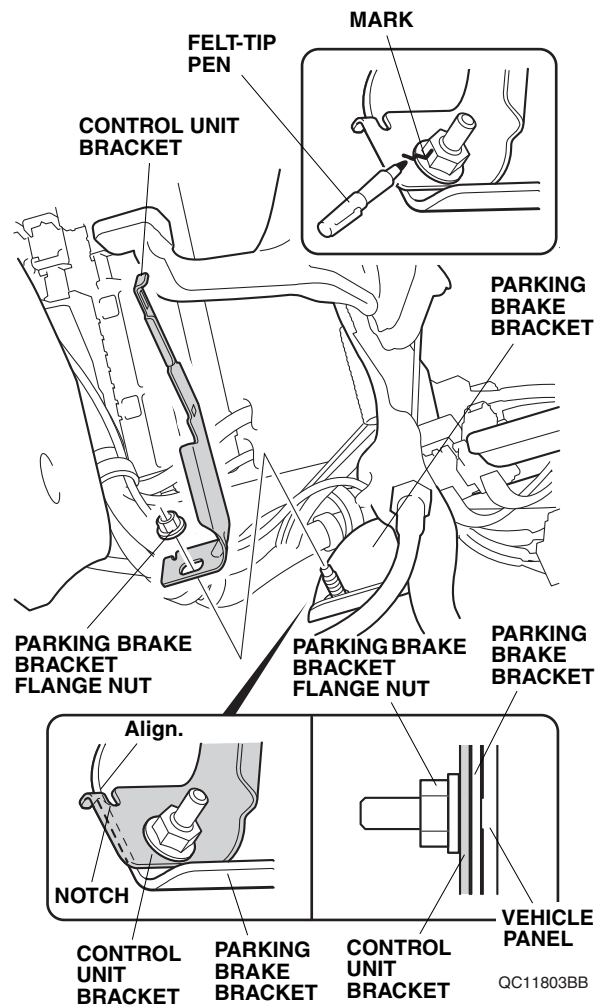
59. Loosely secure the antenna cable to the engine starter harness with one wire tie.

60. Route the antenna cable along the engine starter harness, and under the two wire ties loosely secured in step 33.



### Installing the Control Unit

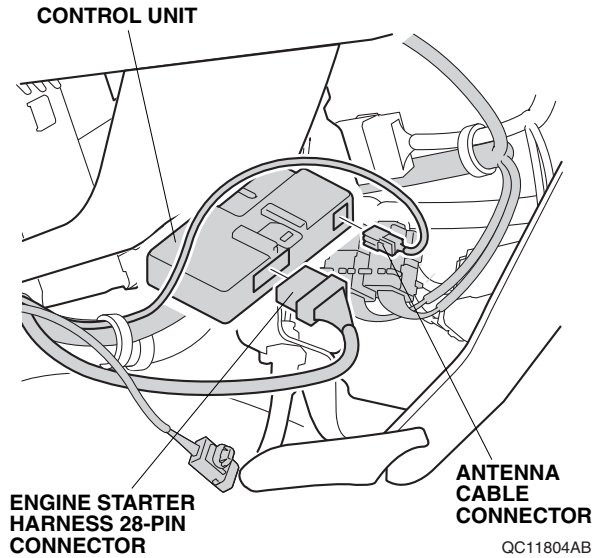
61. Under the dash near the fuse box, locate the parking brake bracket flange nut. Remove the parking brake bracket flange nut.



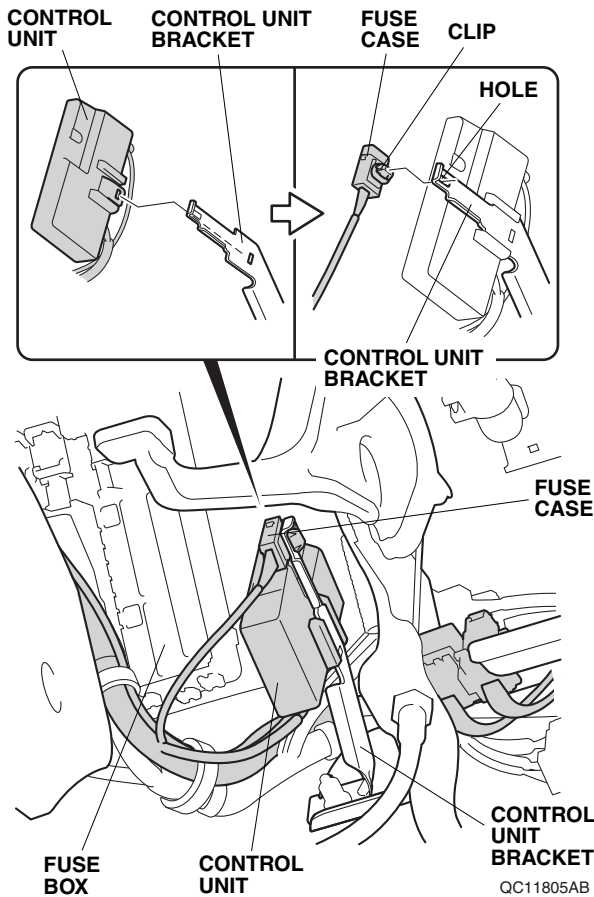
62. Install the control unit bracket on top of the parking brake bracket and align the notch in the control unit bracket with the edge of the parking brake bracket. Reinstall the parking brake bracket flange nut, and torque it to 18.7 to 24.5 N·m (13.8 to 18.1 lb·ft).
63. Using a felt-tip pen, mark the parking brake bracket flange nut and control unit bracket as shown.



64. Plug the antenna cable connector, and the engine starter harness 28-pin connector into the control unit.

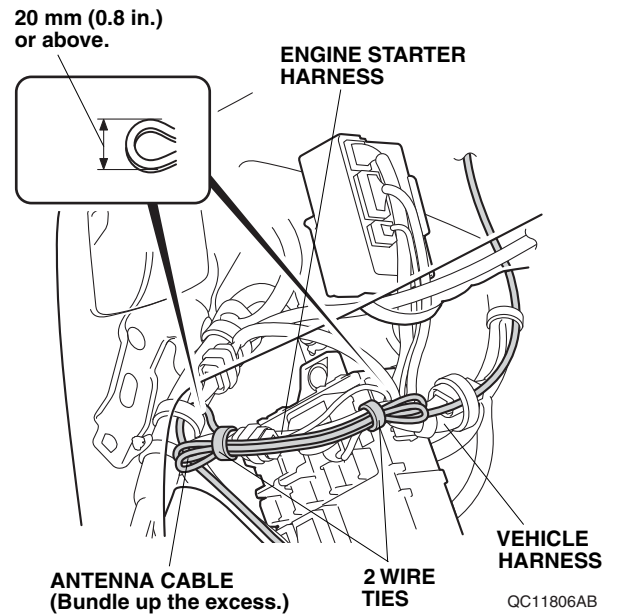


65. Install the control unit to the control unit bracket.

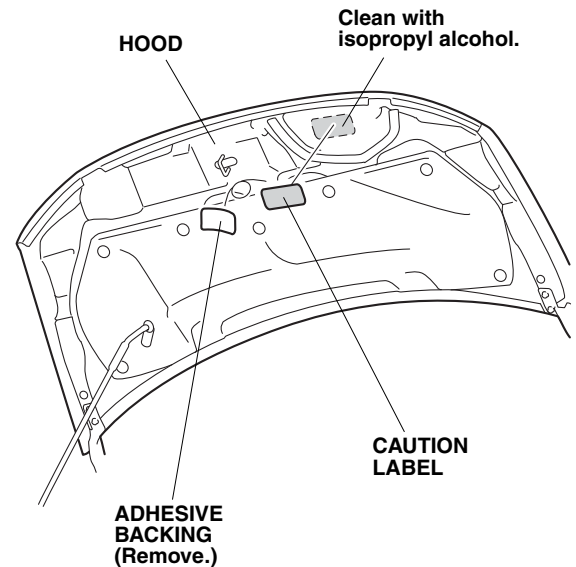


66. Attach the clip on the engine starter harness fuse case to the hole in the control unit bracket.

67. Bundle up the excess antenna cable, and secure it to the vehicle harness and engine starter harness with two wire ties loosely secured in steps 58 and 59. Tighten the lower three wire ties loosely secured in steps 58 and 60.



68. Using isopropyl alcohol on a shop towel, thoroughly clean the hood where the caution label will attach.



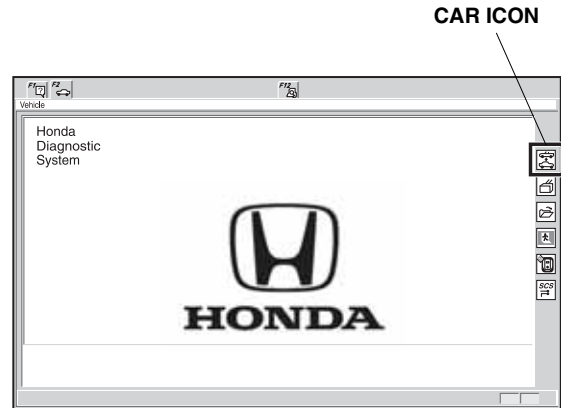
69. Remove the adhesive backing from the caution label, and attach the caution label to the hood in the area shown.

70. Check that all wire harnesses are routed properly and all connectors are plugged in.
71. Check the marks (step 64) of the parking brake bracket flange nut and control unit bracket and make sure that the parking brake bracket flange nut is not loose.
72. Check the overlap between the headliner and the driver's A-pillar trim. Refer to the Service Manual. If necessary, adjust the overlap.
73. Install all removed parts. Take care not to pinch the airbag with the clip during reinstallation of the A-pillar trim. Do not push excessively on the A-pillar trim.
74. Connect the negative cable to the battery.
75. Check the operation of the headlights and wipers.
76. Set the clock on vehicle without navigation.
77. Perform the "REMOTE ENGINE STARTER REGISTRATION" and the "FUNCTION CHECK".

## REMOTE ENGINE STARTER REGISTRATION

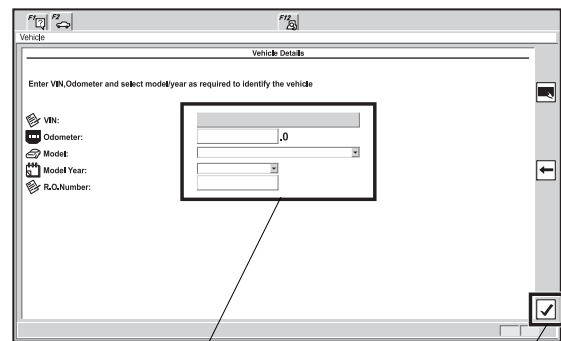
NOTE: Register after making sure the HDS has been upgraded to the latest version as described in the Service News.

1. Acquire the PCM Code from the Interactive Network.



QC31909AC

2. Connect the HDS/MVCI tester to the OBD II data link connector, then turn the ignition switch to the on (II) position.
3. Start the HDS, and click the car icon.
4. Input the VIN and other required information into the HDS, then click the check button.

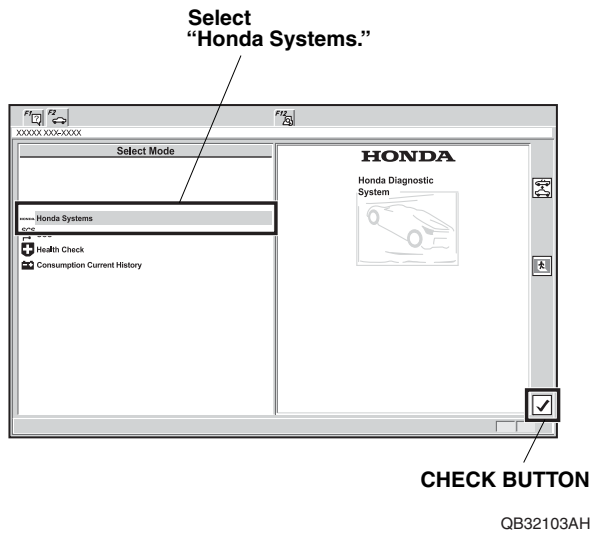


Input the VIN and other required information.

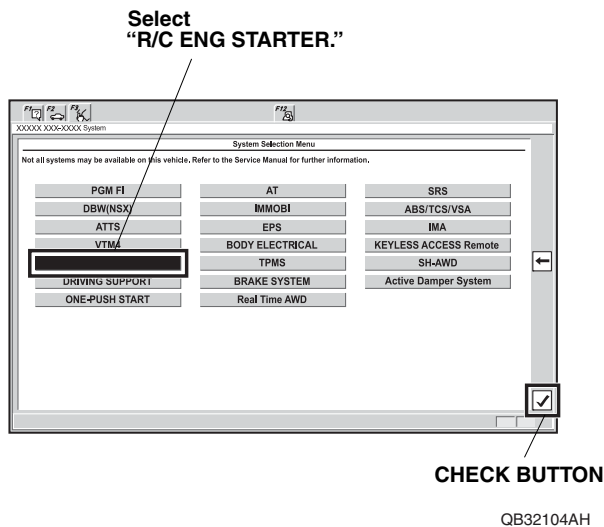
CHECK BUTTON

QB32102BH

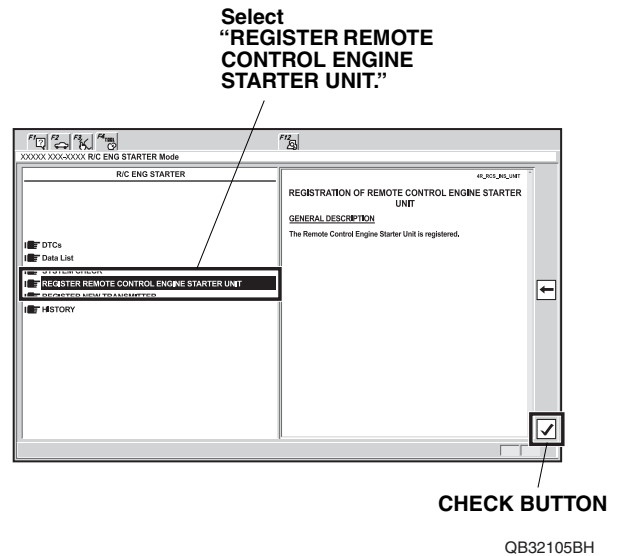
5. Select **Honda Systems**, then click the check button.



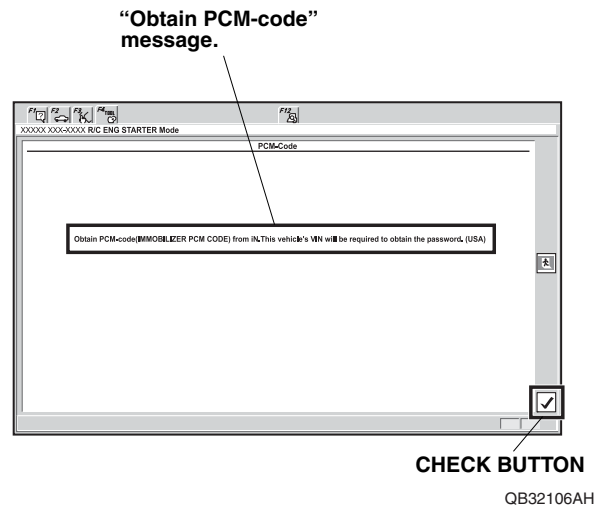
6. Select **R/C ENG STARTER** and click the check button.



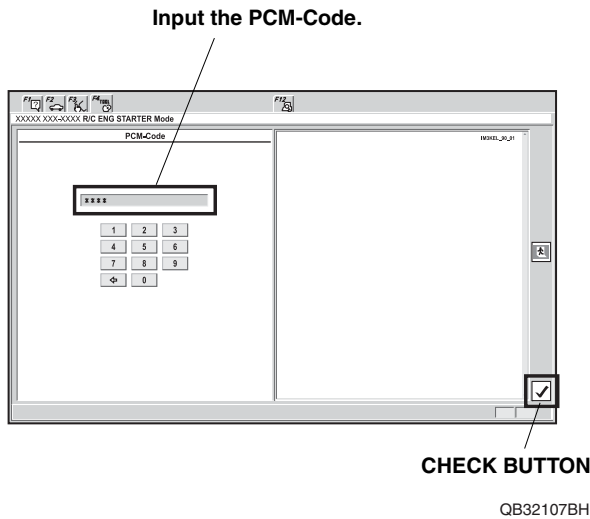
7. Select **REGISTER REMOTE CONTROL ENGINE STARTER UNIT**, then click the check button.



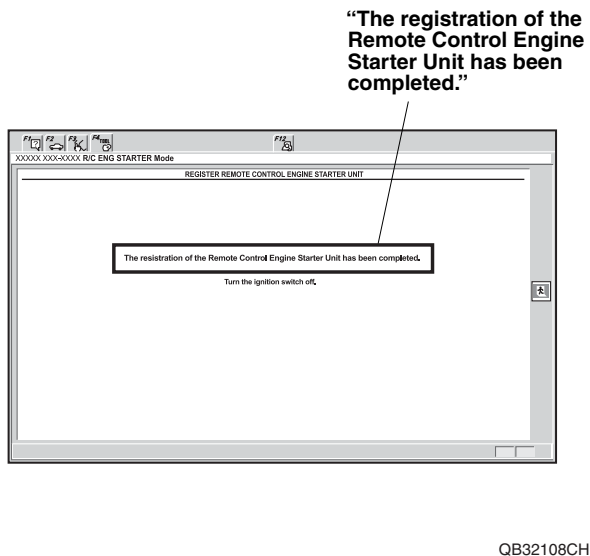
8. The following message will display: **Obtain PCM-code (IMMOBILIZER PCM CODE) from IN. This vehicle's VIN will be required to obtain the password. (USA)** Click the check button.



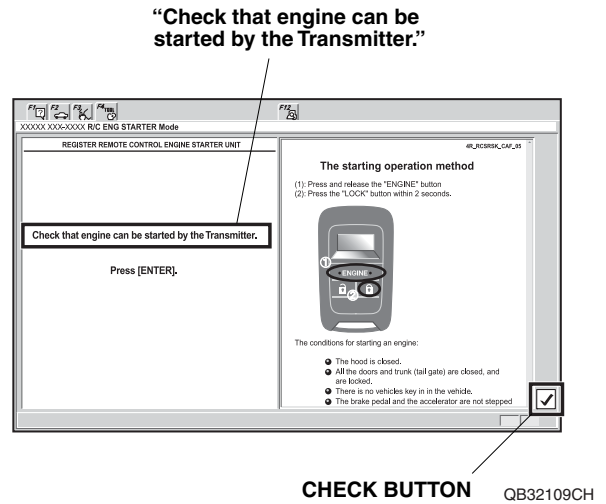
9. Input the PCM-code, then click the check button.  
NOTE: To ensure security, the PCM-code (password) is changed everyday, so it is impossible to register the remote control engine starter if the dates of the PCM-code acquisition and registration are different. The date of the HDS/MVCI tester should also be the same.



10. The following message will display: **The registration of the Remote Control Engine Starter Unit has been completed.** Turn the ignition switch off.



11. The following message will display: **Check that engine can be started by the Transmitter.** Click the check button.



12. Perform the FUNCTION CHECK on page 21, then disconnect the HDS/MVCI.

## FUNCTION CHECK

### Operating Conditions

- The hood is closed
- The shift lever is in park
- Turn the ignition switch off and the key is outside the vehicle
- All doors and tailgate closed and locked

### Inspection

1. Press the engine/command button on the transmitter and release, within 2 seconds, press the lock/start button on the transmitter.

The engine should start if all operating conditions are met.

Does the engine start?

|   |
|---|
| Yes - Operation is normal.  |
| No:   |
| <ul style="list-style-type: none"> <li>• Make sure all “Operating Conditions” are met.</li> <li>• Check the engine starter harness connections.</li> <li>• Connect the HDS/MVCI and check for an indicated failure.<br/>(Refer to the appropriate Service Manual for details.)</li> </ul> |

2. Press the engine/command button on the transmitter and release, within 2 seconds, press the unlock/stop button. The engine should stop.

Does the engine stop?

|  |
|--|
| Yes - Operation is normal.                         |
| No - Check the engine starter harness connections. |

3. After the engine has stopped, start the engine again, and check that the engine stops after each of the following conditions:

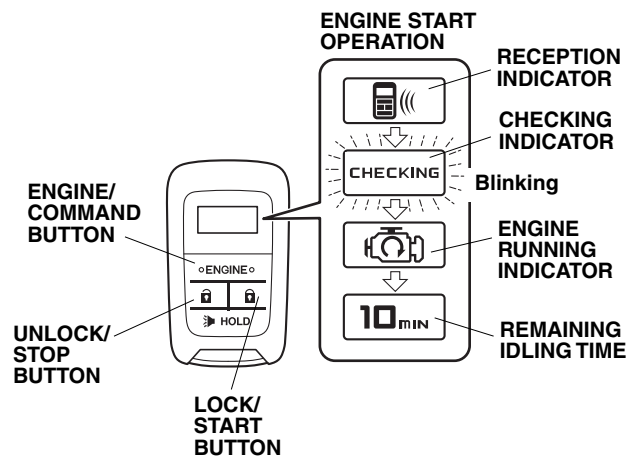
NOTE: After each test the ignition key must be cycled, or the driver’s door must be opened and closed.

- Move the shift lever out of the P position.
- Unlock or open the doors or the tailgate.
- Open the hood.
- Insert the key in the ignition.
- Press the engine start/stop button.
- Press on the brake pedal.

Does the engine stop after each of these tests?

|  |
|--|
| Yes - Operation is normal.                         |
| No - Check the engine starter harness connections. |

4. Check that the power windows and the moonroof do not function, and the shift lever does not move to any position when the engine is started with the transmitter.
5. Check that the engine does not start under “Operating Conditions” with the key left inside the vehicle.
6. Start the engine again, press the engine/command button on the transmitter two times, and check the vehicle condition on the display.



QB62902AB

7. Check the operation of the transmitter when the vehicle is 120 m (400 ft.) away and in direct sight.
8. Press the unlock/stop button on the transmitter and verify that the doors unlock. Press the lock/start button, and verify that the doors lock.
9. Check that the engine can start by the vehicle key and that the wiper and the headlight can be operated normally.