



# INSTALLATION INSTRUCTIONS

Accessory  
**SPLASH GUARDS**  
P/N 08P00-SZT-100A

Application  
**2016 CR-Z**

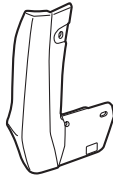
Publications No.  
**VERSION 1**  
Issue Date  
**OCT 2015**

## PARTS LIST

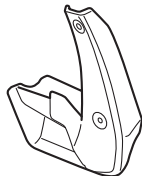
Left front splash guard



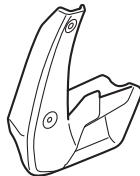
Right front splash guard



Left rear splash guard



Right rear splash guard



12 Self-tapping screws, 5 x 25 mm



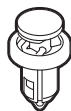
4 Spring nuts A



2 Spring nuts B



2 Clips



## TOOL AND SUPPLIES REQUIRED

Tape

Eye protection (face shield, safety goggles, etc.)

Phillips screwdriver

Pushpin

Stubby Phillips screwdriver

Utility knife

Drill

3 mm, 6 mm, 8 mm, and 10 mm Drill bits

File

Hex wrench

Blanket

Rigid rack

Ruler

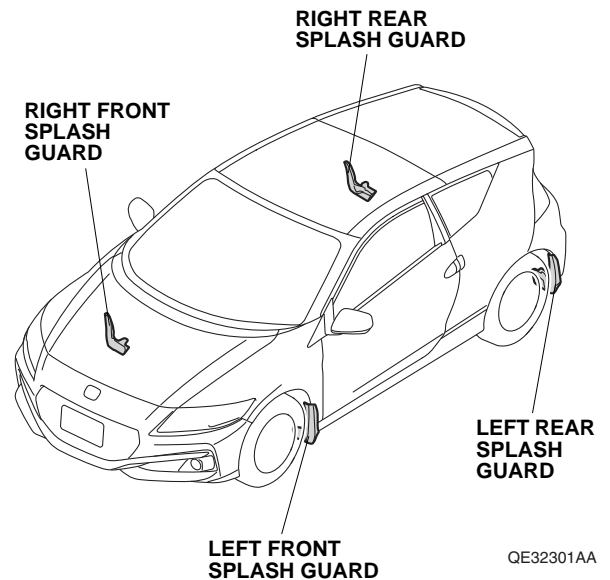
Masking tape

10 mm Open end wrench

*The following tool is available through the Honda Tool and Equipment Program. On the iN, click on: Service > Service Bay > Tool and Equipment Program, then enter the number under "Search". Or, call 888-424-6857.*

Trim Tool Set (T/N SOJATP2014)

## Illustration of the Splash Guards on the Vehicle



## INSTALLATION

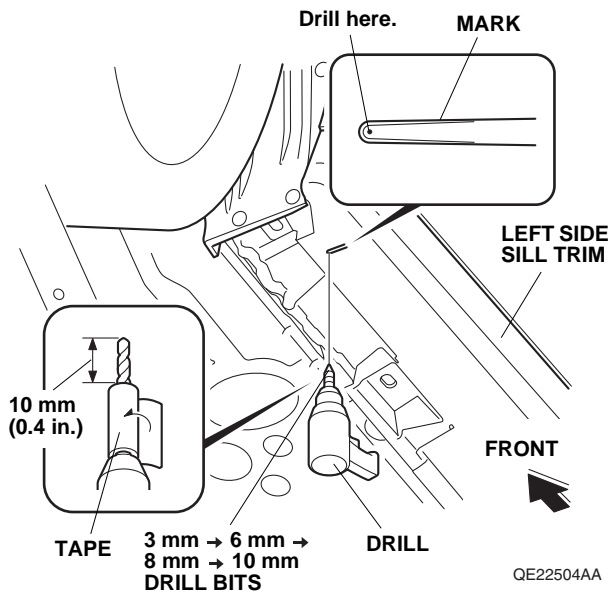
**Customer Information:** The information in this installation instruction is intended for use only by skilled technicians who have the proper tools, equipment, and training to correctly and safely add equipment to your vehicle. These procedures should not be attempted by “do-it-yourselfers.”

NOTE: Do not damage the vehicle body paint finish.

1. Disconnect the negative cable from the battery.

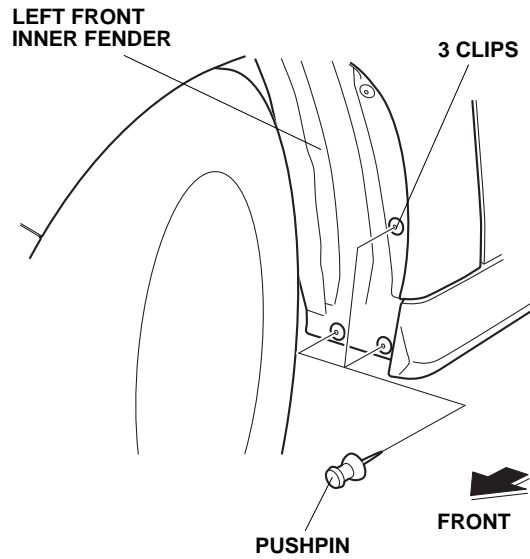
### Installing the Front Splash Guards

2. Raise the vehicle off the ground and support its weight by placing rigid racks in the proper location as described in the vehicle Service Manual.
3. Turn the steering wheel fully counterclockwise.
4. Locate the indentation on the bottom of the left side sill trim as shown.

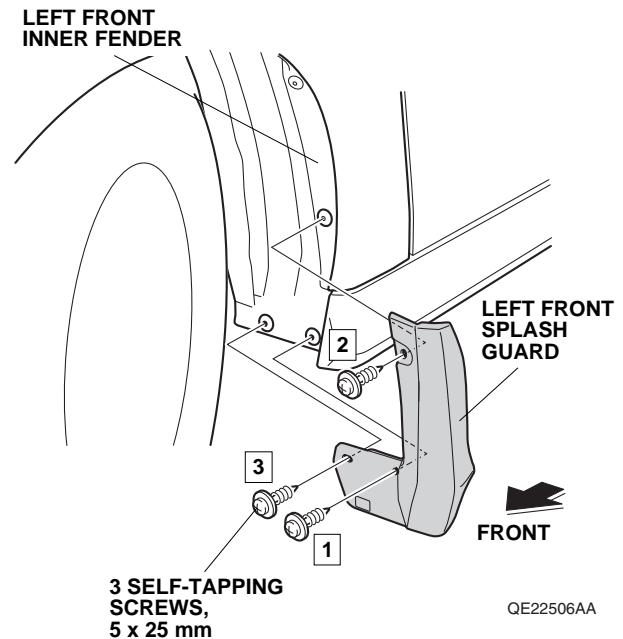


5. While wearing eye protection, drill the mark on the left side sill trim.
  - Make sure to drill perpendicularly to the left side sill trim.
  - To prevent damage to the inner vehicle parts, wrap tape around each drill bit 10 mm (0.4 in.) from the tip.
  - First drill with a 3 mm drill bit, second drill with a 6 mm drill bit, third drill with an 8 mm drill bit, and finish with a 10 mm drill bit. Remove any burrs.

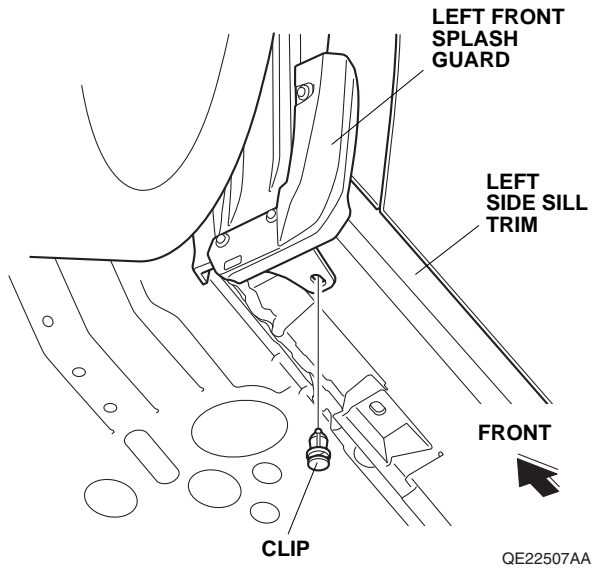
6. Using a pushpin, pierce the center of the three clips on the left front inner fender.



7. Loosely install the left front splash guard to the left front inner fender with three 5 x 25 mm self-tapping screws.



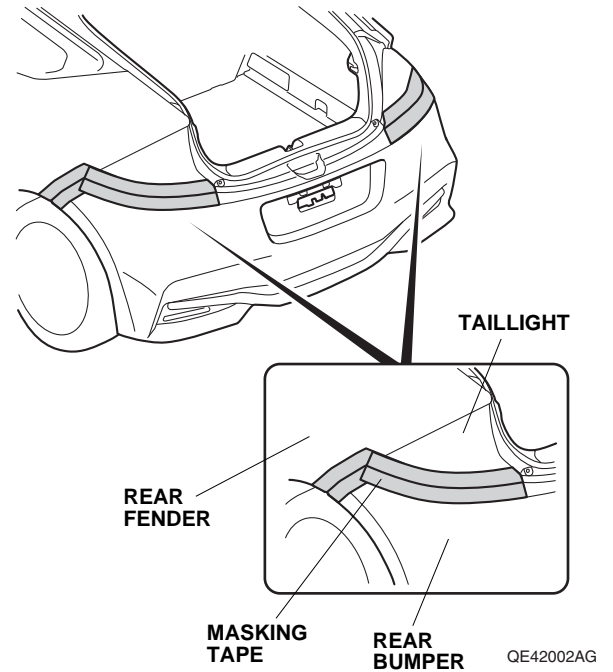
8. Make sure that there is no gap between the left front splash guard and the vehicle body. Tighten the three 5 x 25 mm self-tapping screws loosely installed in step 7 in this order 1 → 2 → 3.  
NOTE: Make sure that the splash guard is secured properly. Check that there is no gap between the left front splash guard and vehicle. If there is a gap or flap noise from the left front splash guard, adjust the gap and retighten the self-tapping screws.
9. Secure the left front splash guard to the left side sill trim with one clip.



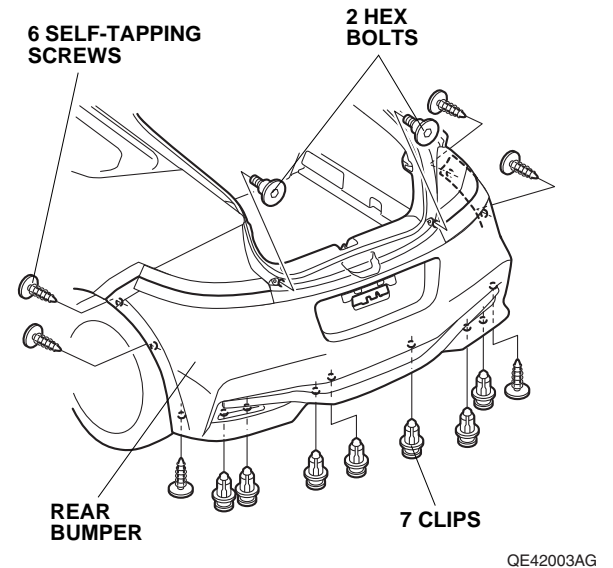
10. Turn the steering wheel fully clockwise.
11. Repeat steps 4 through 9 on the right side of the vehicle.

## Installing the Rear Splash Guards

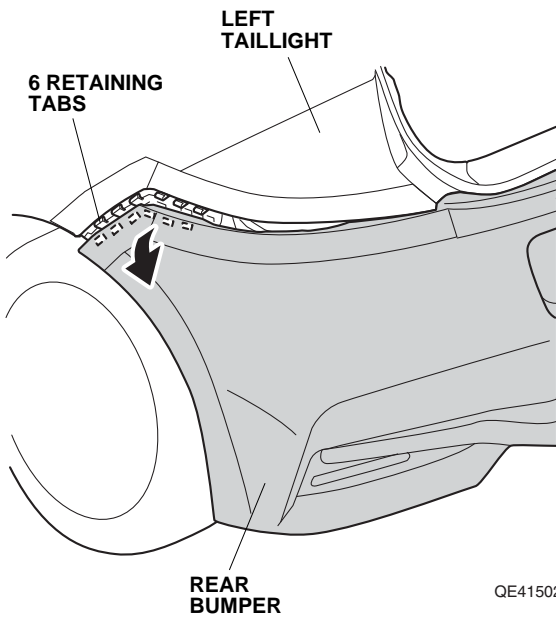
12. Attach masking tape to the rear bumper, taillights and rear fenders as shown.



13. Remove the rear bumper.
  - Remove the six self-tapping screws, two hex bolts, and seven clips.

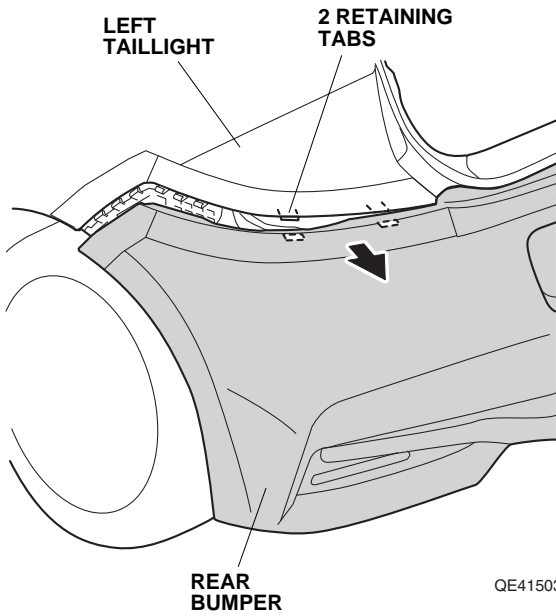


- With the help of an assistant, release six retaining tabs on each side.



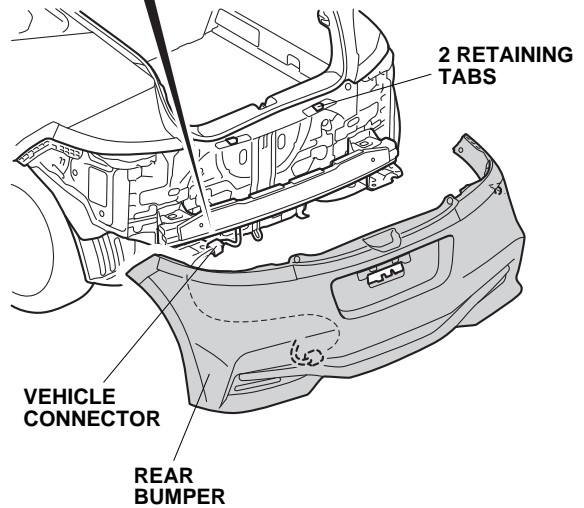
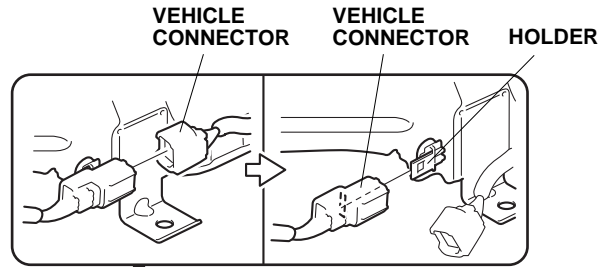
QE41502BG

- With the help of an assistant, release two retaining tabs on each side.



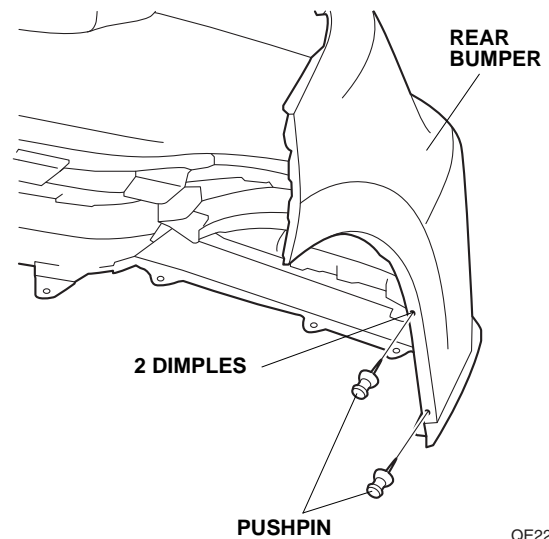
QE41503BG

- With the help of an assistant, remove the rear bumper, unplug the vehicle connector and release the vehicle connector from the holder.
- Place the rear bumper on a blanket.



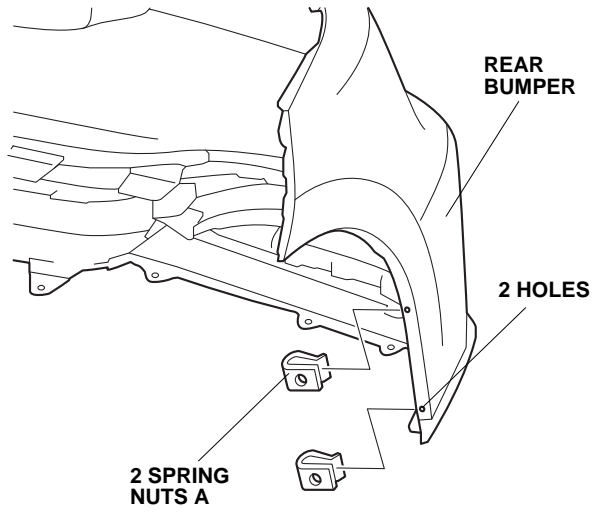
QE32306BA

- Using a pushpin, pierce the rear bumper at the two dimples.



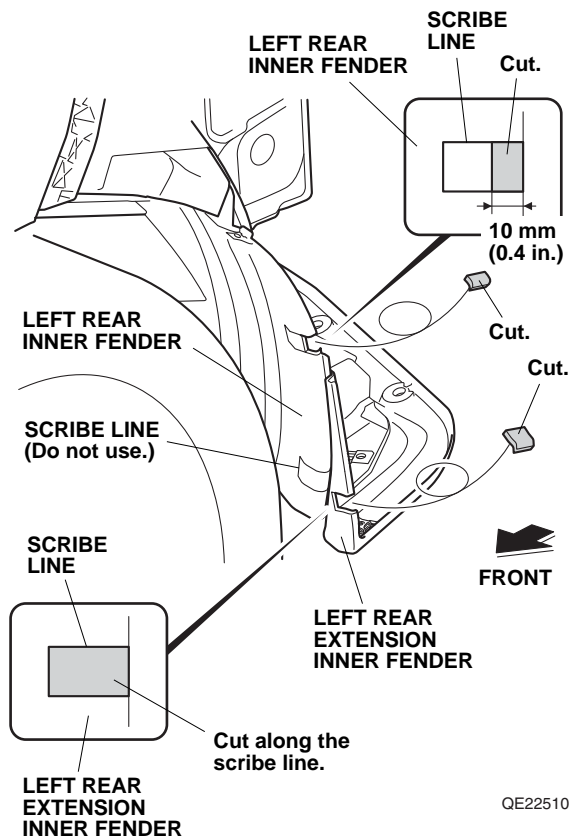
QE22508AA

15. Align and install two spring nuts A to the two holes in the rear bumper.  
NOTE: Check the orientation of the spring nut.



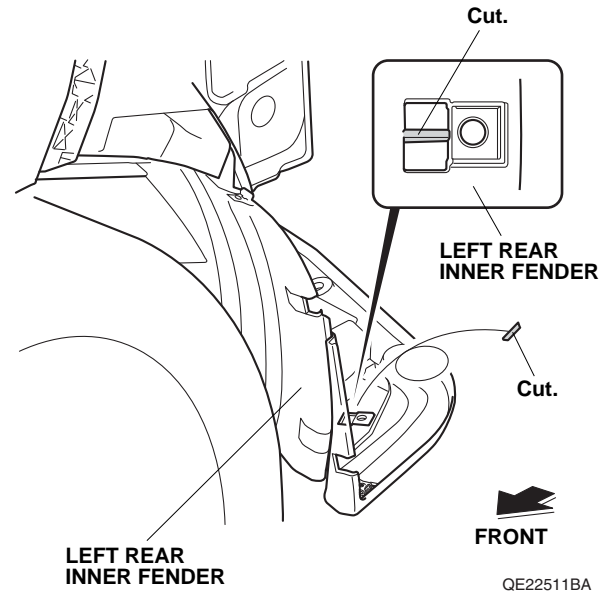
QE22509AA

16. Repeat steps 14 and 15 on the right side of the rear bumper.  
17. Using an utility knife, cut the left rear inner fender and left rear extension inner fender as shown.



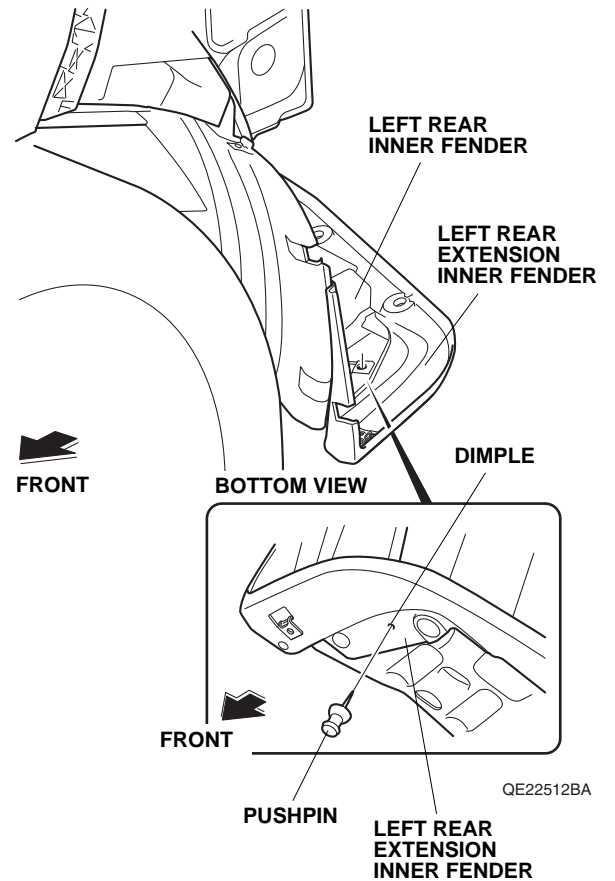
QE22510BA

18. Using a utility knife, cut the left rear inner fender as shown.



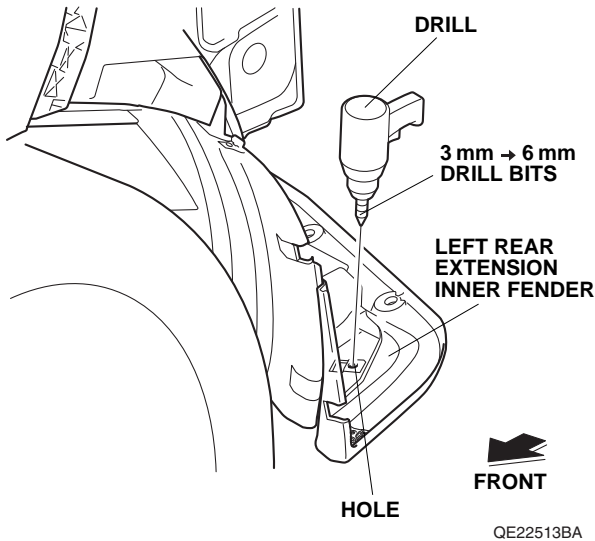
QE22511BA

19. Using a pushpin, pierce the bottom of left rear extension inner fender at the center of the dimple.

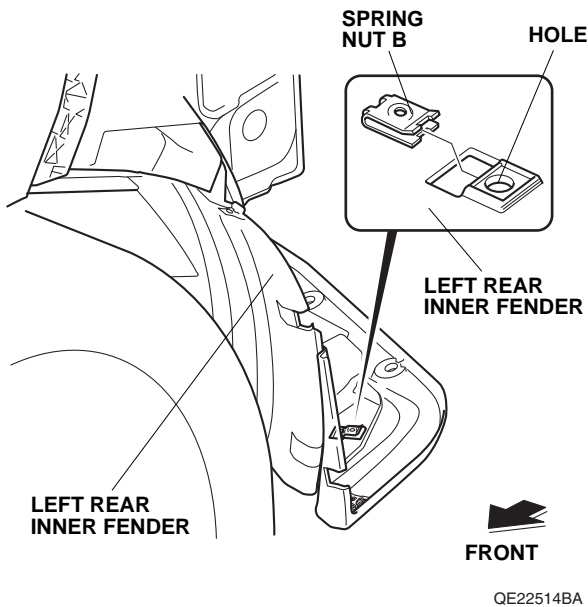


QE22512BA

20. While wearing eye protection, drill one pierced mark.
- Make sure to drill perpendicularly to the left rear extension inner fender.
  - First drill with a 3 mm drill bit and finish with a 6 mm drill bit. Remove any burrs.

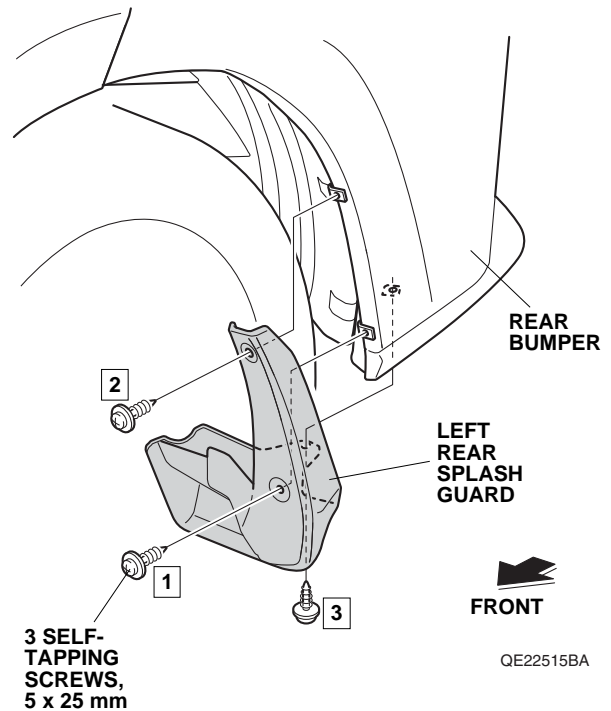


21. Install one spring nut B to the hole on the left rear inner fender.  
NOTE: Check the orientation of the spring nut.



22. Repeat steps 17 through 21 on the right side of the vehicle.  
23. With the help of an assistant, install the rear bumper.

24. Loosely install the left rear splash guard to the rear bumper with three 5 x 25 mm self-tapping screws.



25. Make sure that there is no gap between the left rear splash guard and the vehicle body. Tighten the three 5 x 25 mm self-tapping screws loosely installed in step 24 in this order 1 → 2 → 3.  
NOTE: Make sure that the splash guard is secured properly. Check that there is no gap between the left rear splash guard and vehicle. If there is a gap or flap noise from the left rear splash guard, adjust the gap and tighten the self-tapping screws.
26. Repeat steps 24 and 25 on the right side of the vehicle.
27. Check that all wire harnesses are routed properly and all connectors are plugged in.
28. Connect the negative cable to the battery.
29. Press and hold the audio unit power button for 2 seconds to restore the audio and navi (if equipped) system functions.
30. Set the clock.
31. If the IMA battery charge level indicator is at zero, start the engine and hold it between 3,500 and 4,000 rpm (without load) in Park or Neutral until the IMA battery charge level indicator is at least half charged.