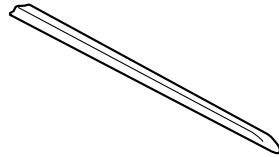
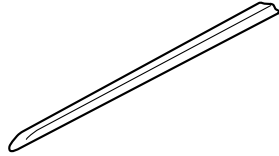


**PARTS LIST**

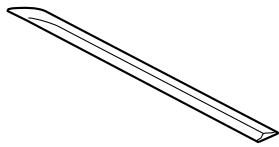
Left front body side molding



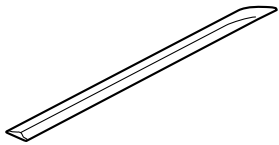
Right front body side molding



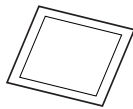
Left rear body side molding



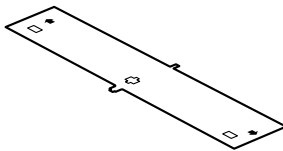
Right rear body side molding



4 Alcohol swabs



Template

**TOOLS AND SUPPLIES REQUIRED**

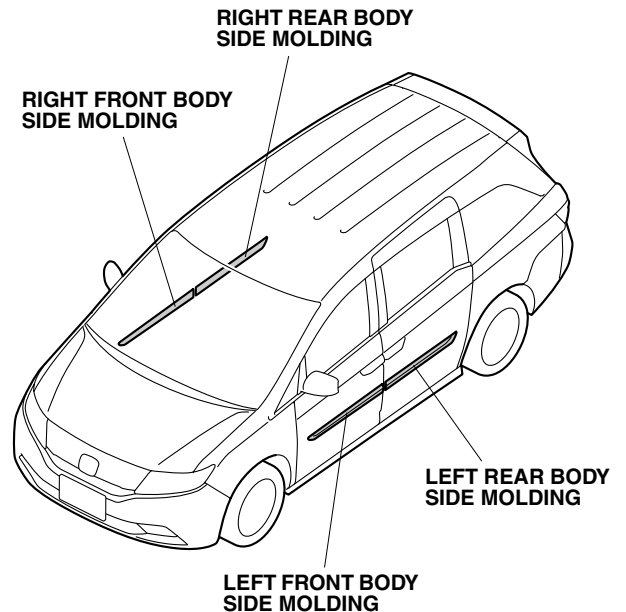
Masking tape

Felt-tip pen

Tape Measure

Rubber Roller (MHLE540)

Available through the Honda Tool and Equipment program. On the iN, click on: Service/Service Bay/Tool and Equipment Program, then enter the number under "Search." Or call 888-424-6857.

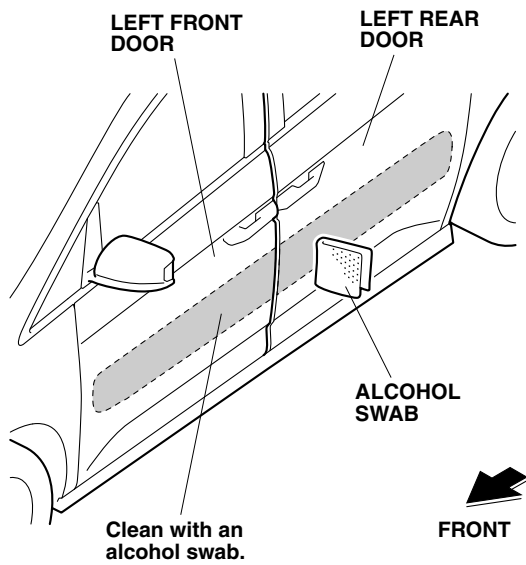
**Illustration of the Body Side Moldings on the Vehicle****INSTALLATION**

**Customer Information:** The information in this installation instruction is intended for use only by skilled technicians who have the proper tools, equipment, and training to correctly and safely add equipment to your vehicle. These procedures should not be attempted by "do-it-yourselfers."

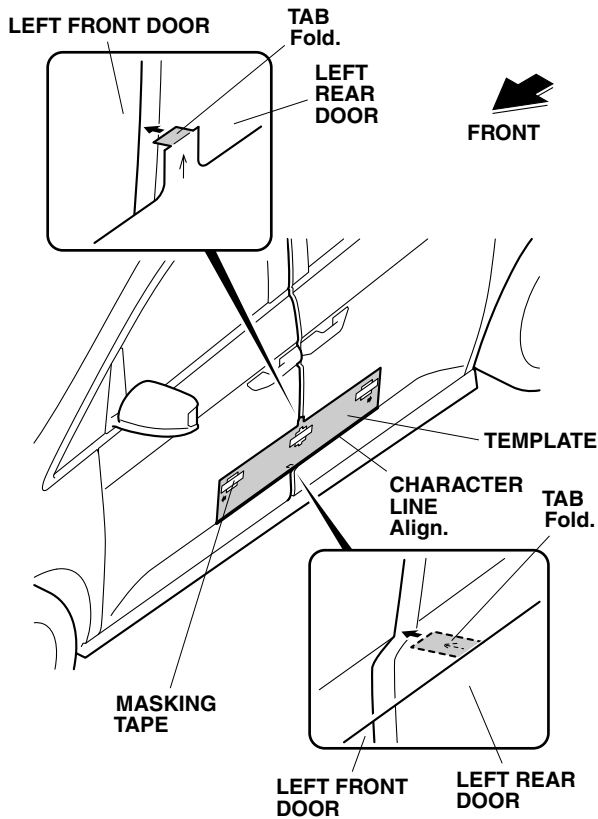
**NOTE:**

- If you are also installing the accessory door edge guards, install them before you install the body side moldings.
- Be careful not to damage the paint finish.
- This kit should be installed only if the ambient air temperature is 15°C (60°F) or above.
- To allow the adhesive to cure, do not wash the vehicle for 24 hours. Please advise your customer.

- Using an alcohol swab, thoroughly clean the left doors where the left body side moldings will attach.

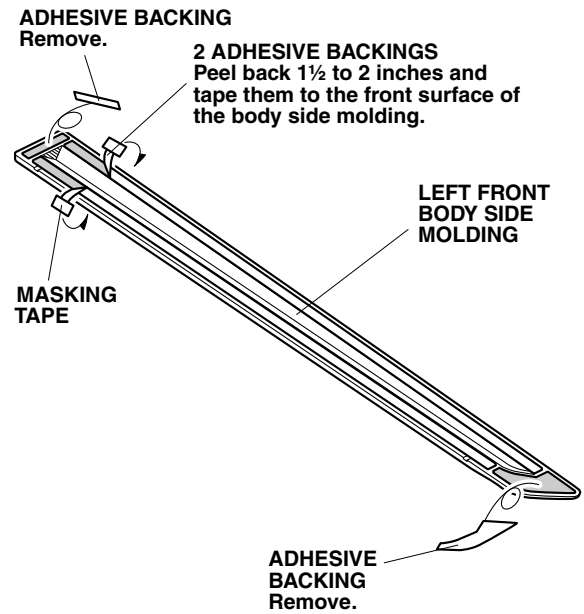


- Locate the top and bottom tabs in the center of the template, and fold them back. Insert the folded tabs between the left front door and left rear door.



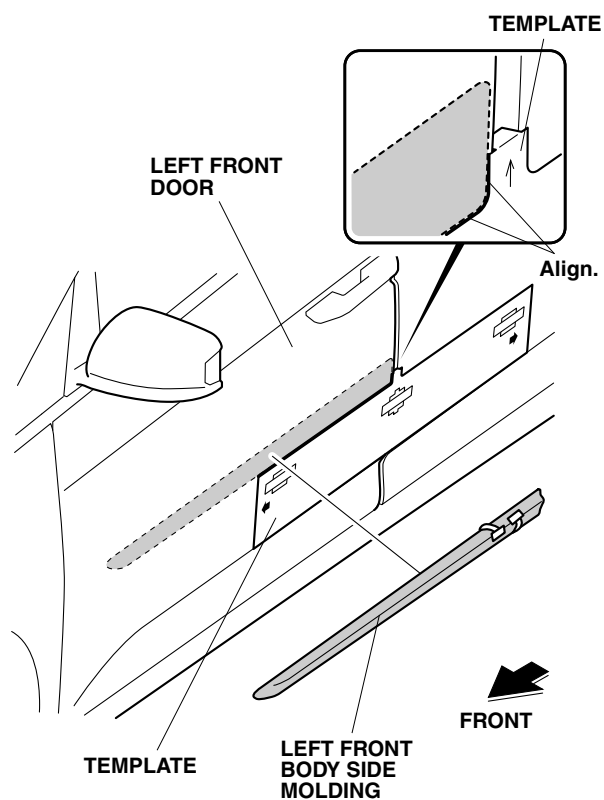
- Align the bottom of the template with the character line, and attach the template to the left doors with strips of masking tape as shown.

- Peel back approximately 1½ to 2 inches of adhesive backing from each adhesive strip, and tape the ends to the front surface of the body side molding. Remove the small end pieces of the adhesive backing.



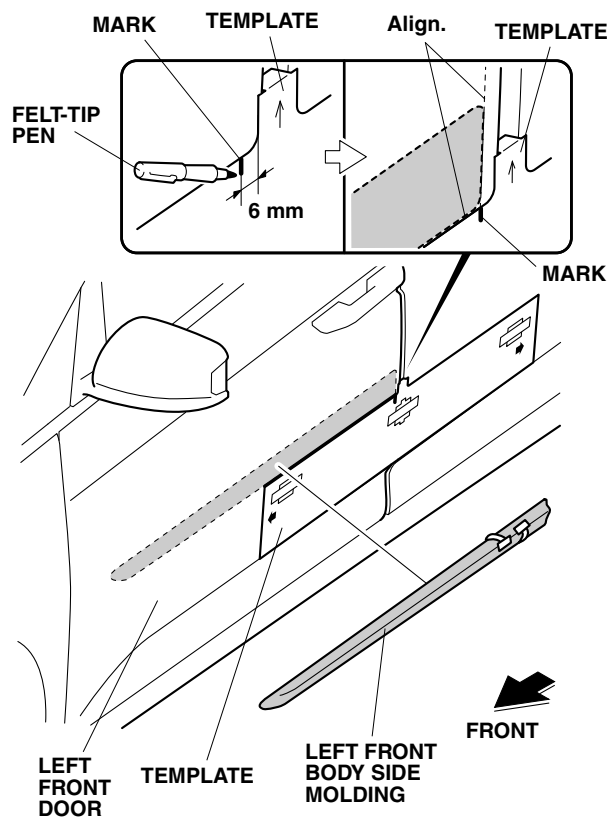
If the vehicle is equipped with accessory door edge guards, go to step 6. If not, continue with step 5.

- Align the left front body side molding with the template and attach it to the left front door as shown. Go to step 10.



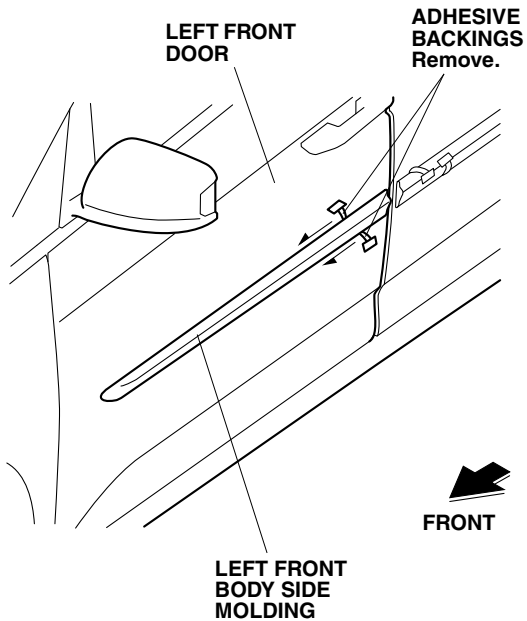
### With Door Edge Guards

- Using a felt-tip pen, measure and mark the template as shown.

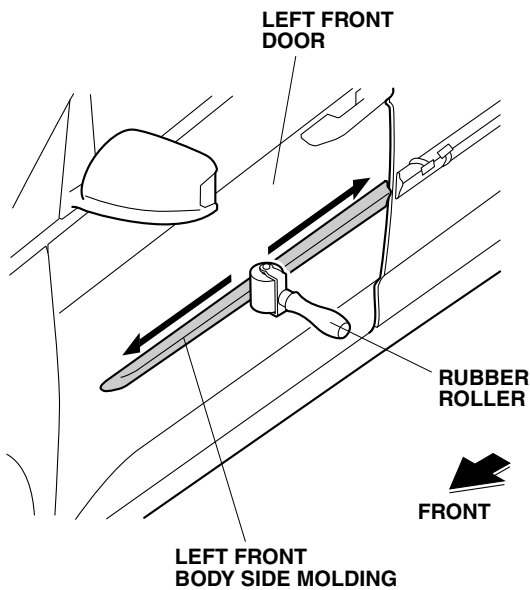


- Align the left front body side molding with the mark on the template, and attach it to the left front door as shown.

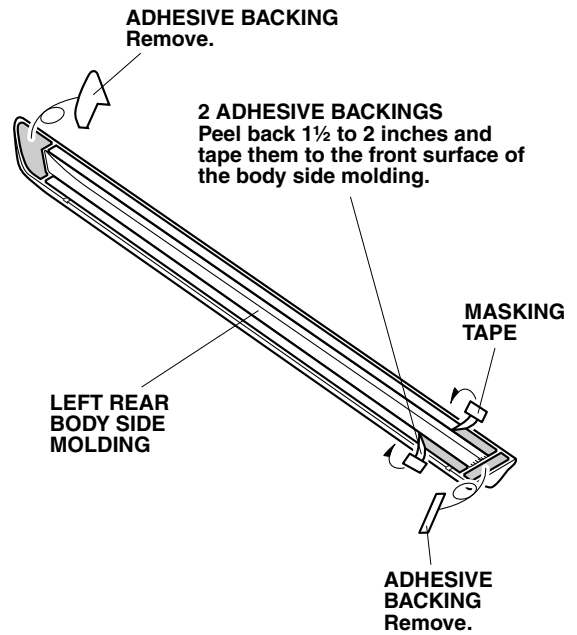
- While applying light pressure against the left front body side molding, carefully remove the adhesive backings.



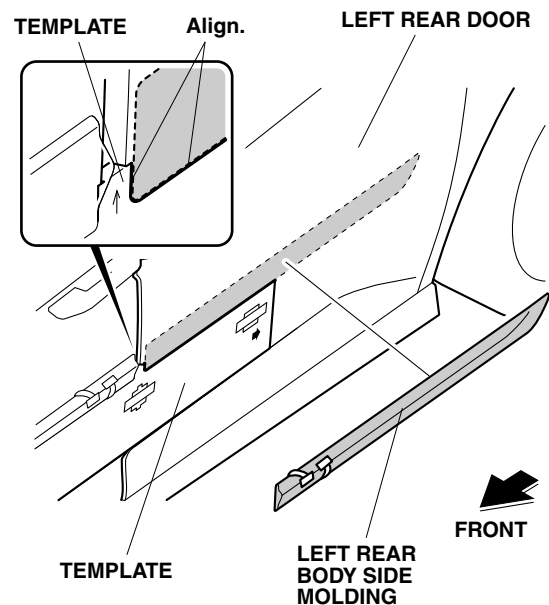
- Using a rubber roller, apply pressure against the left front body side molding and roll from one end to the other.



- Peel back approximately 1½ to 2 inches of adhesive backing from each adhesive strip, and tape the ends to the front surface of the body side molding. Remove the small end pieces of the adhesive backing.

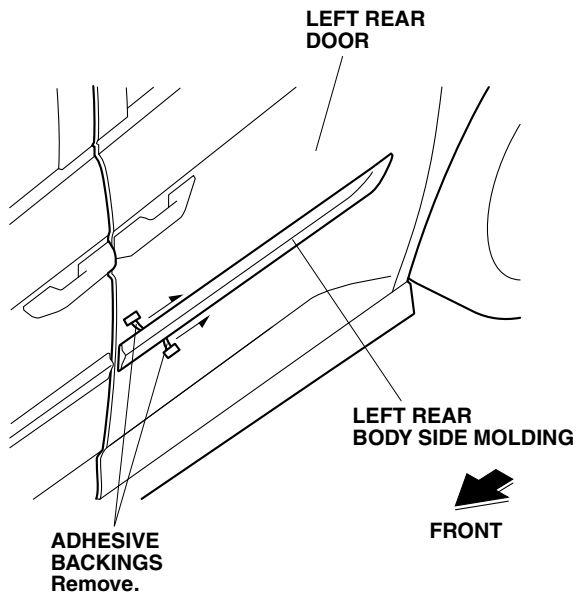


- Align the left rear body side molding with the template and attach it to the left rear door as shown.

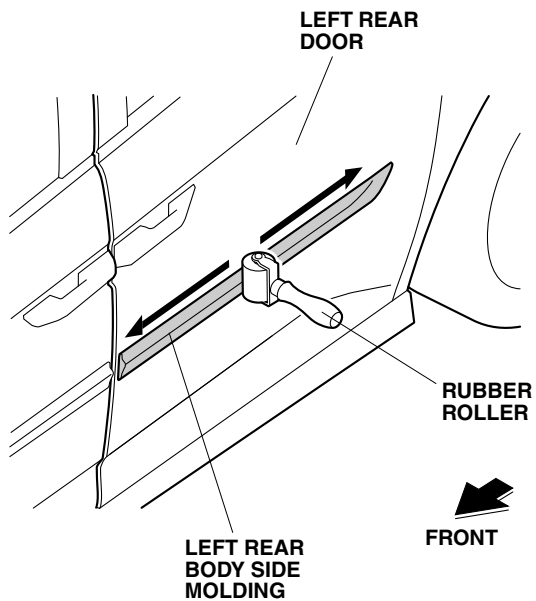


- Remove the template.

13. While applying light pressure against the left rear body side molding, carefully remove the adhesive backings.



14. Using a rubber roller, apply pressure against the left rear body side molding and roll from one end to the other.



15. Turn the template over and repeat steps 1 through 14 to install the body side molding on the right side of the vehicle.