



# INSTALLATION INSTRUCTIONS

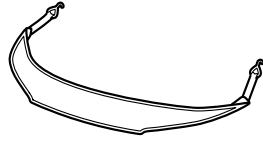
Accessory  
**FULL NOSE MASK**  
P/N 08P35-T3L-100

Application  
**2015 ACCORD**  
2-DOOR

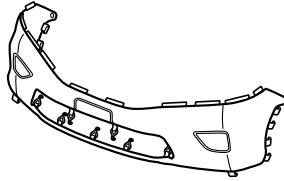
Publications No.  
**VERSION 1**  
Issue Date  
**AUG 2014**

## PARTS LIST

Mask  
(hood section)



Mask  
(bumper section)



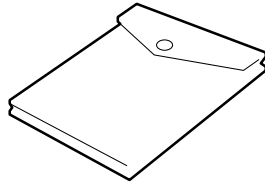
2 Snap-screws



2 Screw grommets



Storage bag



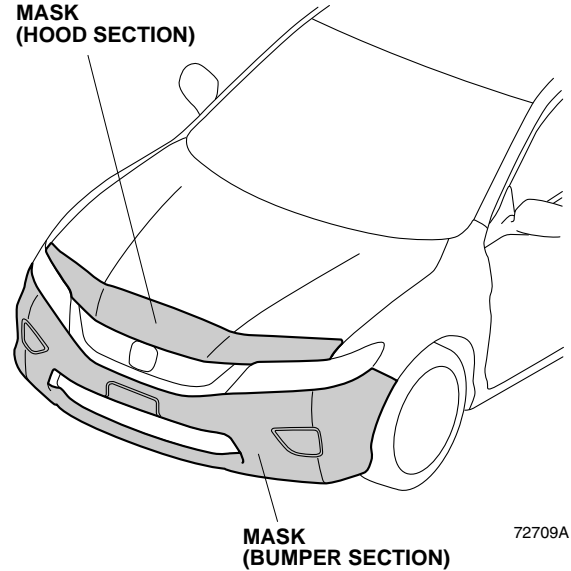
## TOOLS AND SUPPLIES REQUIRED

Stubby Phillips screwdriver

Flat-tip screwdriver

Scissors

## Illustration of the Full Nose Mask on the Vehicle



## INSTALLATION

**Customer Information:** The information in this installation instruction is intended for use only by skilled technicians who have the proper tools, equipment, and training to correctly and safely add equipment to your vehicle. These procedures should not be attempted by “do-it-yourselfers.”

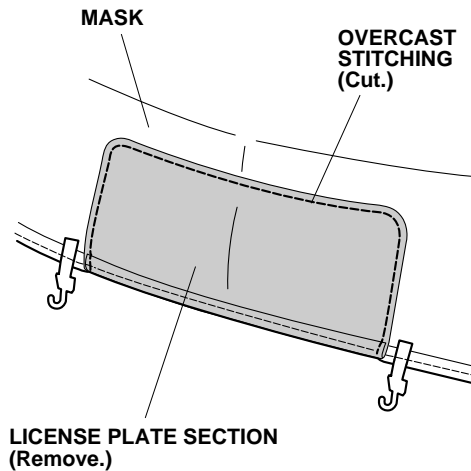
### NOTE:

- Make sure the vehicle and nose mask are clean and completely dry before installation. If moisture under the mask is allowed to dry, it may cloud the paint. If the mask gets wet, remove and allow it to air-dry completely.
- Make sure any repainted surfaces are cured.
- Make sure the hood and nose of the vehicle have been waxed with a high-quality paste wax.
- Make sure to install the nose mask securely. If the nose mask starts to flap or comes loose while driving, safely pull to the side of the road, stop the vehicle, and secure or remove the nose mask.

## Displaying the License Plate

If your state law requires the display of both license plates, cut out the piece of the bumper section that covers the front license plate:

- Face the inside of the mask toward you.
- Carefully cut out the overcast stitching with scissors. Remove the stitching and license plate section.

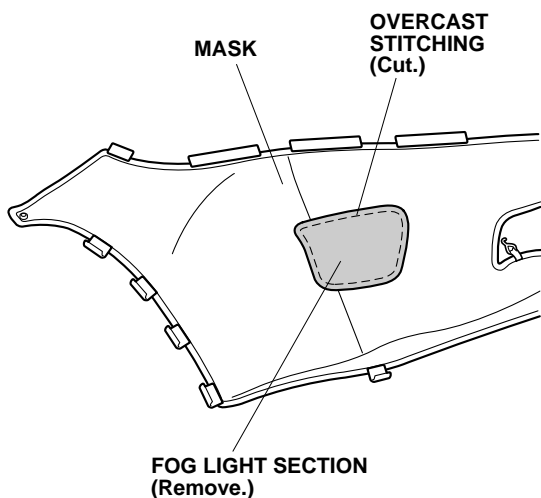


QB53102AY

## With Fog Lights

If the vehicle is equipped with the fog lights, cut out the piece of the bumper section that covers the fog lights:

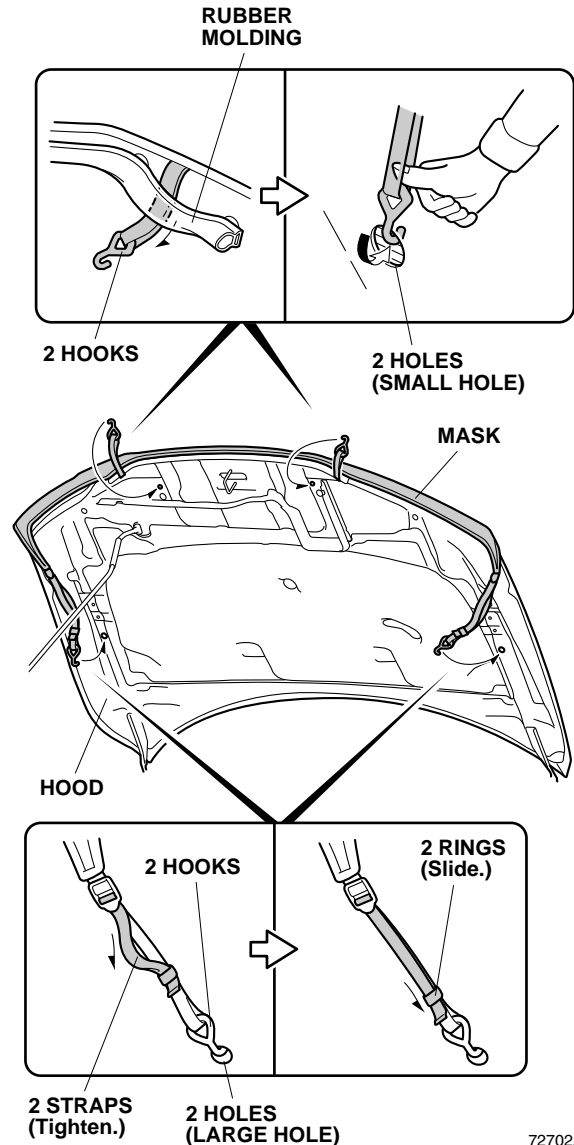
- Face the inside of the mask toward you.
- Carefully cut out the overcast stitching with scissors. Remove the stitching and fog light section.



72701

## Installing the Hood Section

1. Open the hood. Fit the corners of the mask (hood section) around the hood. Adjust the mask so that it fits smoothly over the edges. Attach two side hooks to each hole (large hole) on the hood, then adjust the straps tight.

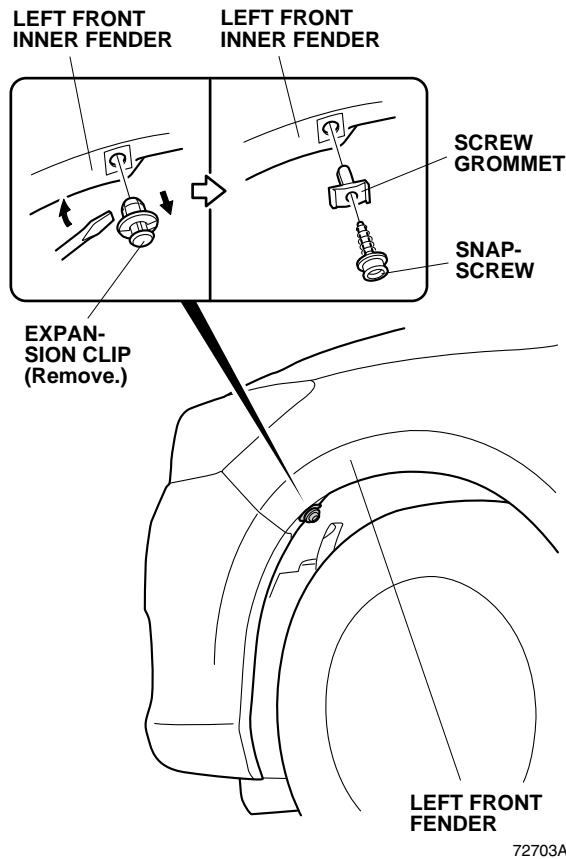


72702A

2. Route the two center hooks under the rubber molding, and attach them to each hole (small hole) on the hood. Remove / install the hooks by inserting your finger into the belt of each hook. Pulling the hooks with excessive force can break the hook strap. Close the hood.

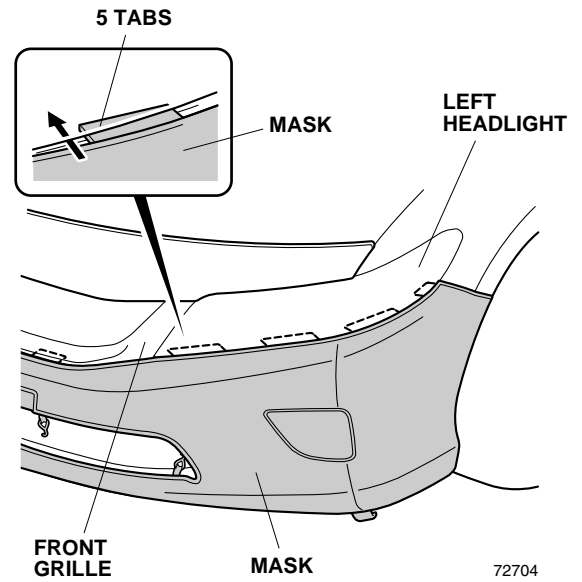
## Installing the Bumper Section

- Turn the steering wheel fully clockwise.

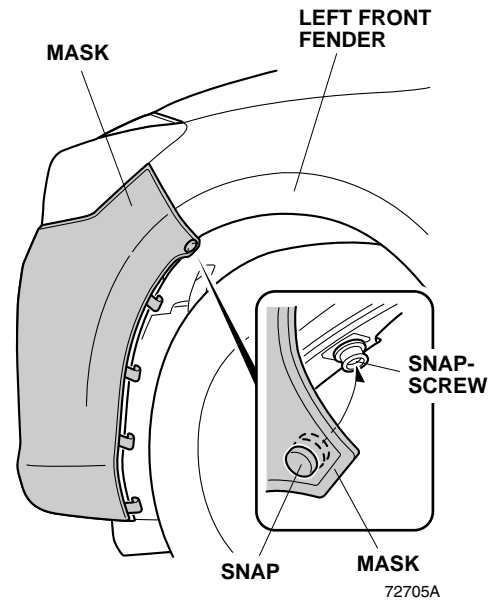


- Remove the expansion clip that fastens the inner fender, then clean the area around the hole.
- Insert one screw grommet into the hole on the left front inner fender, then install and securely tighten the snap-screw into the screw grommet.
- Turn the steering wheel fully counterclockwise, and repeat steps 4 and 5 on the right side.

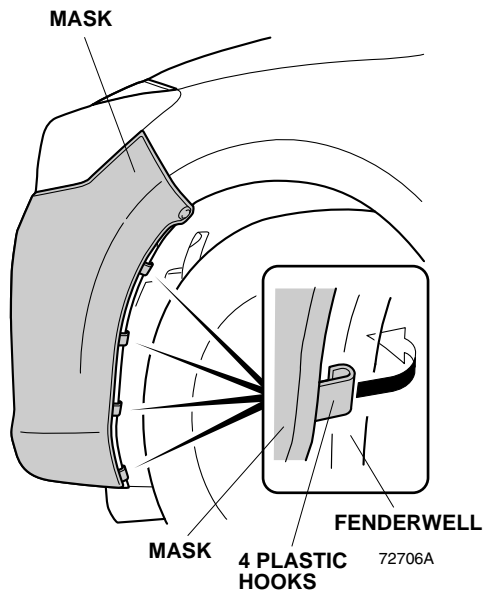
- Insert five tabs under the front grille and the left headlight. Repeat on the right side.



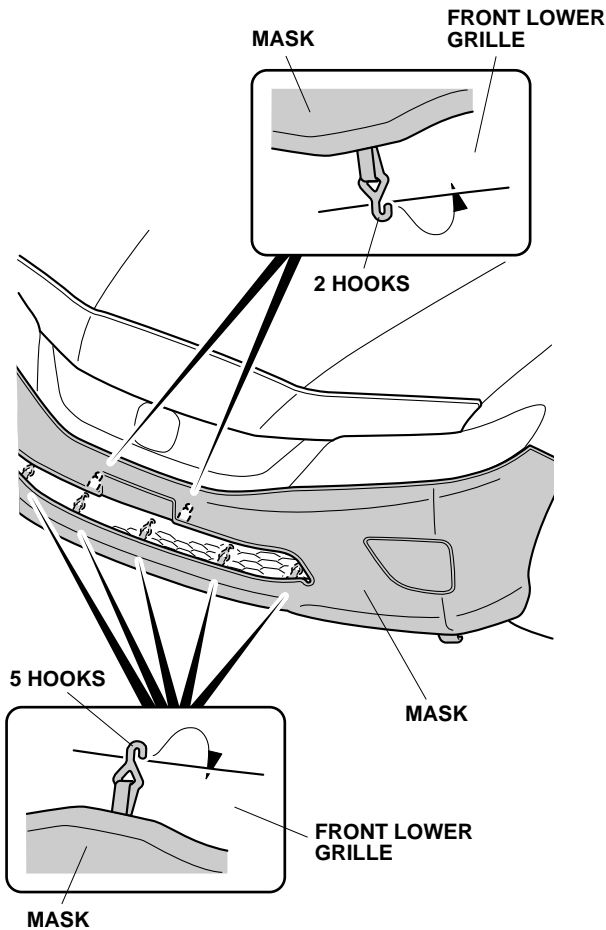
- Pull the mask back toward the fenderwell, smooth out any wrinkles, and then snap the mask onto the snap-screw. Repeat on the right side.



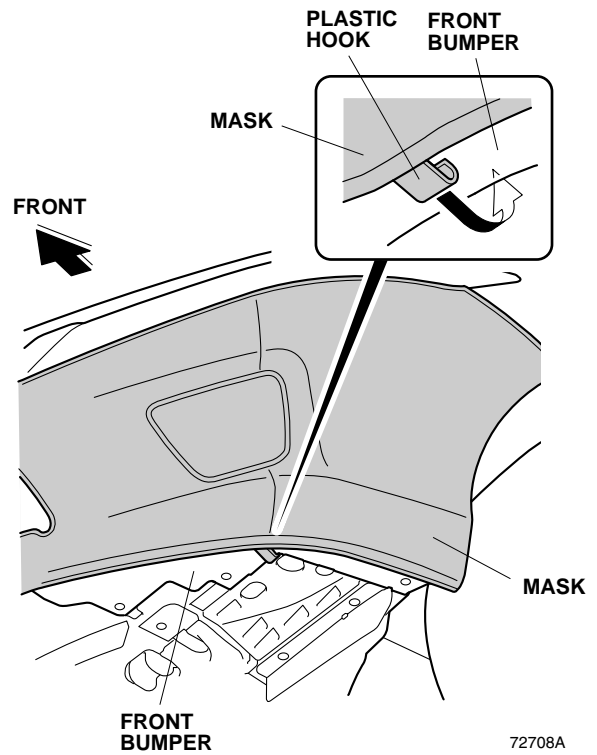
9. Attach four plastic hooks to the fenderwell. Repeat on the right side.



10. Attach seven hooks to the inside edge of the front lower grille.



11. Attach one hook to the bottom edge of the front bumper. Repeat on the right side.



### CLEANING THE NOSE MASK

Use a sponge or cloth and a solution of mild liquid dishwashing soap and water to clean the vinyl and the flannel backing. Rinse the mask completely with clean water, and hang it to dry out of direct sunlight. Make sure the mask is completely dry before you reinstall it.