



# INSTALLATION INSTRUCTIONS

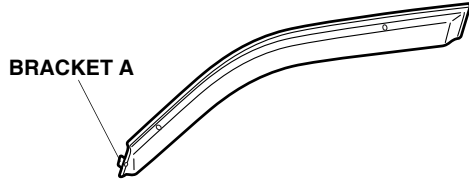
Accessory  
**DOOR VISORS**  
P/N 08R04-SZA-100

Application  
**2014 PILOT**

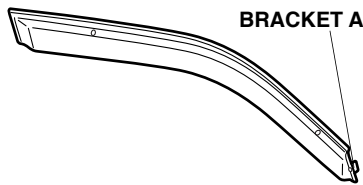
Publications No.  
**All 50250**  
Issue Date  
**AUG 2013**

## PARTS LIST

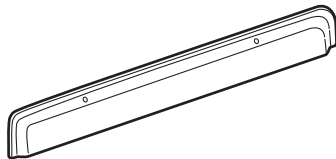
Left front door visor



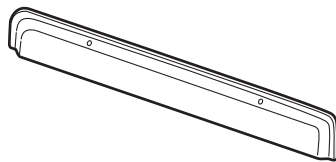
Right front door visor



Left rear door visor



Right rear door visor



4 Brackets B



4 Brackets C



8 Rivets



## TOOLS AND SUPPLIES REQUIRED

Isopropyl alcohol

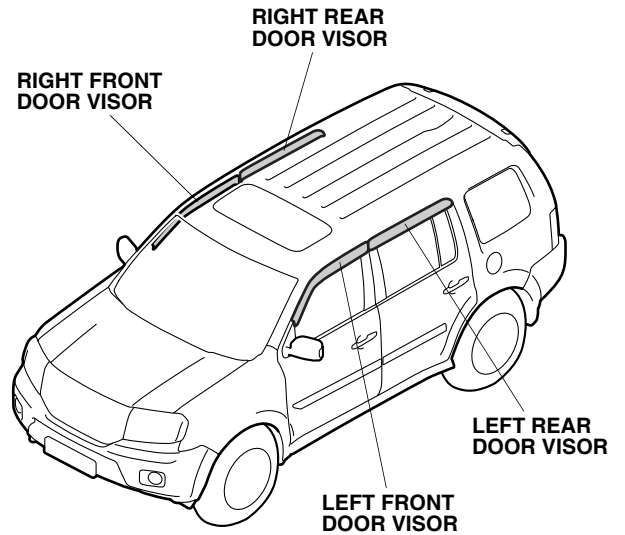
Shop towel

Scale

Masking tape

Rubber roller T/N: MHLE54D

### Illustration of the Door Visors on the Vehicle



## INSTALLATION

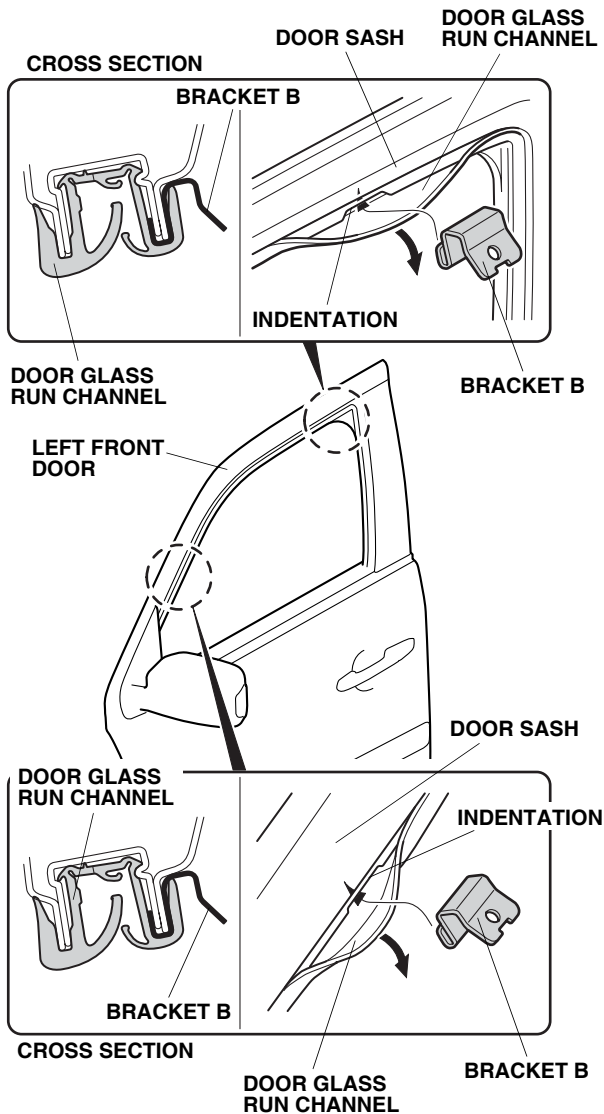
**Customer Information:** The information in this installation instruction is intended for use only by skilled technicians who have the proper tools, equipment, and training to correctly and safely add equipment to your vehicle. These procedures should not be attempted by "do-it-yourselfers."

### NOTE:

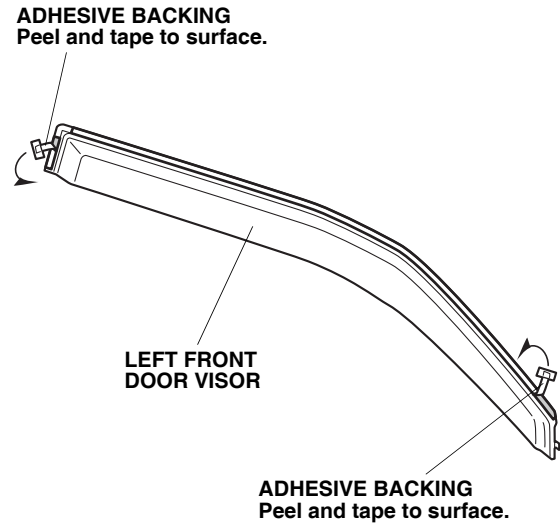
- The instructions shows the left door visors being installed. The same procedure applies to installing the right door visors.
- Do not damage the paint finish and glass run channels when installing the door visors.
- Handle the door visors with care. They are not designed to absorb shock or impact.
- This door visor kit should be installed only if the ambient air temperature is 15°C (60°F) or above.
- To allow the adhesive to cure, do not wash the vehicle for 24 hours. Please advise the customer.

## Installing the Front Door Visor

1. Fully open the left front door glass.
2. Pull down the door glass run channel and install two brackets B to the left front door at the indentations as shown. Make sure the brackets and the door glass run channel are installed on the door sash properly.



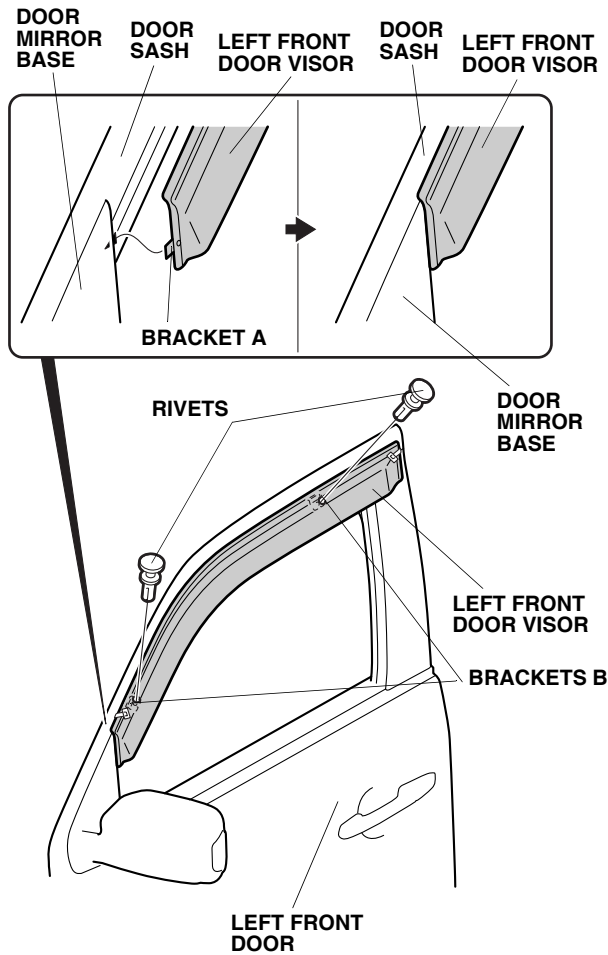
3. Peel back approximately 1½ to 2 inches of adhesive backing from each adhesive strip, and tape the ends to the front surface of the left front door visor with masking tape.



4. Using isopropyl alcohol on a shop towel, clean the door sash where the left front door visor will attach.

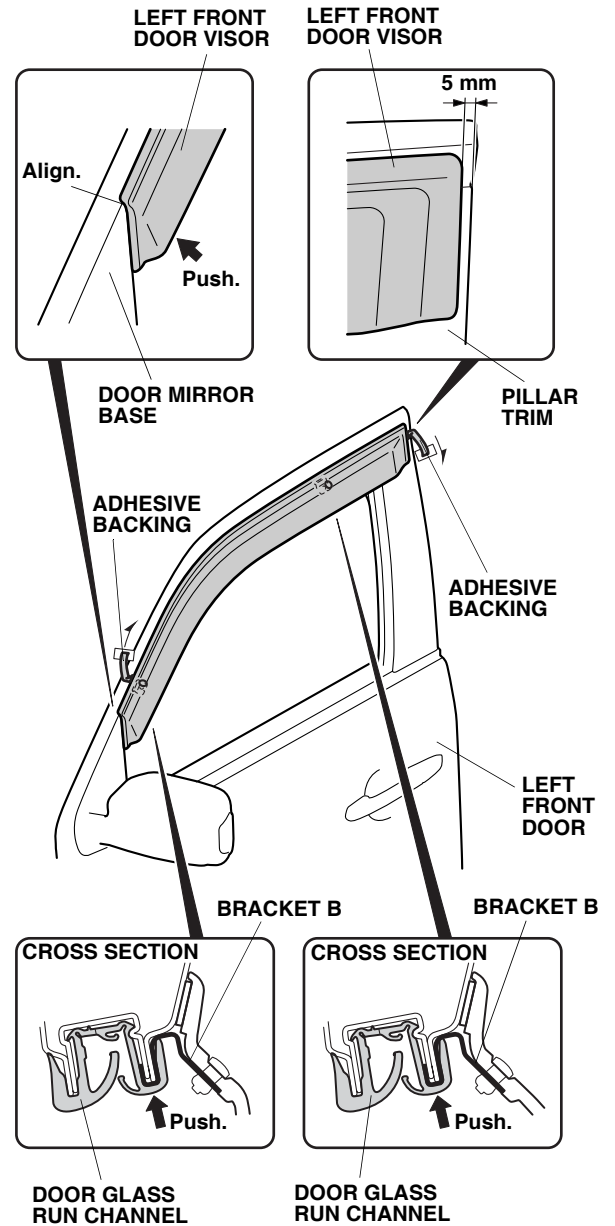


5. Insert bracket A on the left front door visor into the door mirror base.



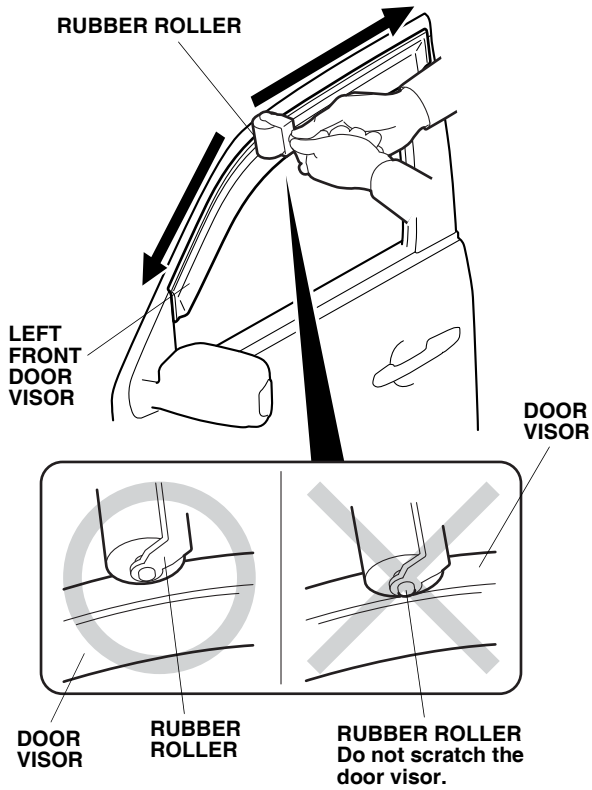
6. Align the holes in the brackets B with the holes in the left front door visor and secure it with two rivets.

7. Adjust the position of the left front door visor. Align the front edge of the door visor to the rear edge of the door mirror base. Make sure that there is no clearance between the bracket and the door sash.



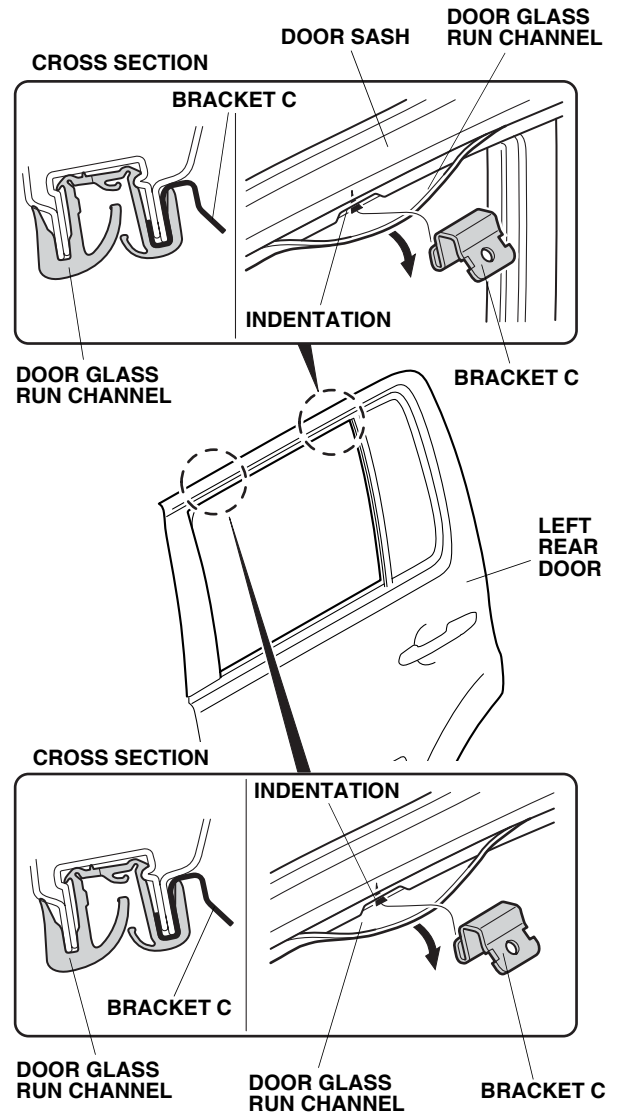
8. Remove the adhesive backings from the left front door visor.

- Using a rubber roller, apply pressure over the adhesive areas on the left front door visor. Do not scratch the door visor with the rubber roller.

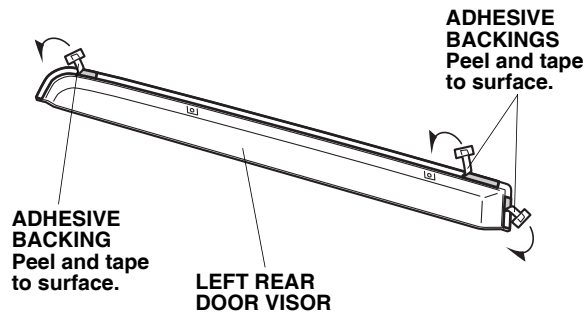


### Installing the Rear Door Visor

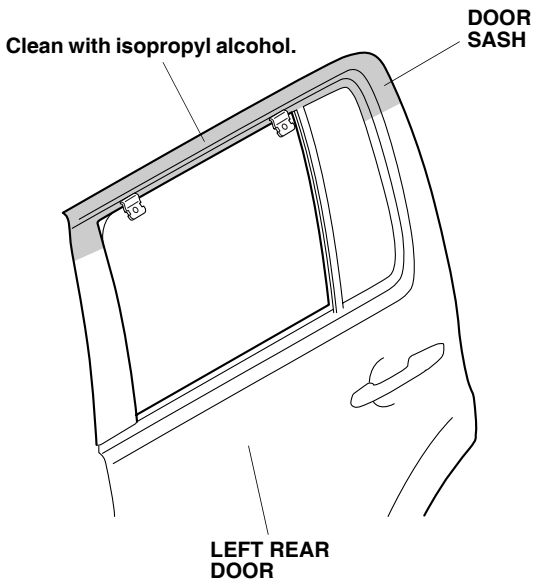
- Fully open the left rear door glass.
- Pull down the door glass run channel and install two brackets C to the left rear door at the indentations as shown. Make sure the brackets and the door glass run channel are installed on the door sash properly.



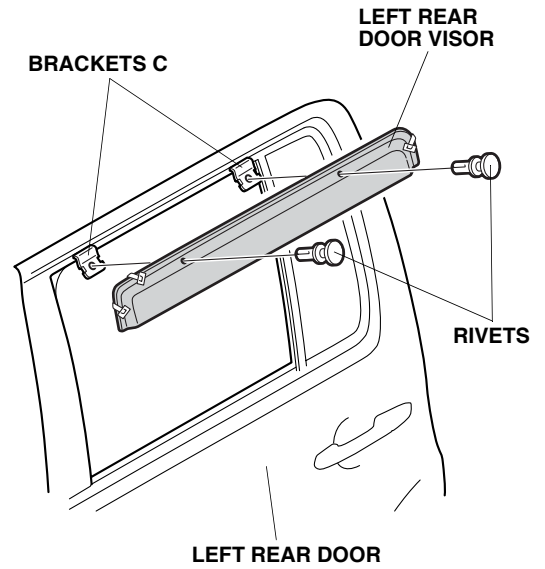
12. Peel back approximately 1½ to 2 inches of adhesive backing from each adhesive strip, and tape the ends to the front surface of the left rear door visor with masking tape.



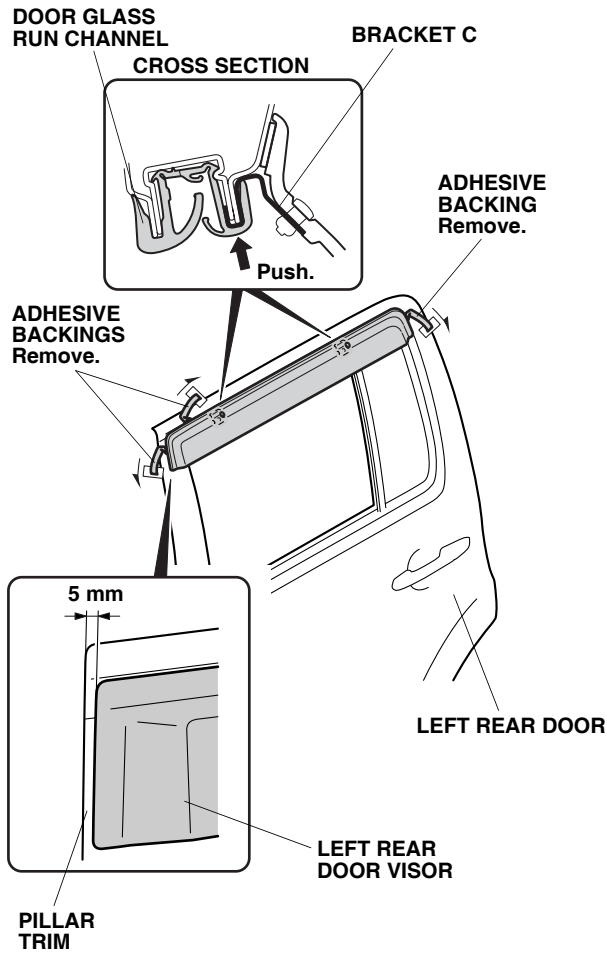
13. Using isopropyl alcohol on a shop towel, clean the door sash where the left rear door visor will attach.



14. Align the holes in the brackets C to the holes in the left rear door visor and secure it with two rivets.

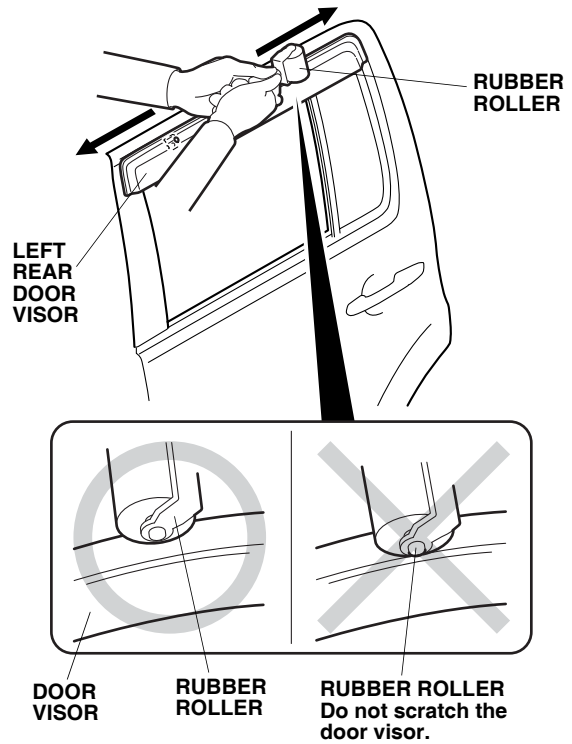


- Adjust the position of the left rear door visor. Make sure there is no clearance between the bracket and the door sash.



- Remove the adhesive backings from the left rear door visor.

- Using a rubber roller, apply pressure over the adhesive backings on the left rear door visor. Do not scratch the door visor with the rubber roller.



- Repeat steps 1 through 17 on the right side of the vehicle.

## CONFIRMATION AFTER INSTALLATION

### Restoration operations

1. Start the engine.
2. Using the power window switch, fully open the window, and check that there is no problem such as a pinched run channel, etc.
3. Using the power window switch, open and close the window from half-open to fully closed 10 times to allow the run channel to seat.
4. Referring to the service manual for the vehicle, reset the power window. (If the automatic closing/opening does not function after the reset, reset again.)
5. Referring to the service manual of the vehicle, do the "learning" for the power windows. (If the automatic closing/opening does not function after the learning, carry out "learning" again.)

#### NOTE:

Steps 4 & 5 should be done to all power windows having the automatic closing/opening function to allow for proper operation of the anti-pinching function after installing the door visor.

### USE AND CARE

- When the door visor is dirty, clean it with a soft cloth dampened with water.
- When the door visor is very dirty, clean the door visor with a neutral detergent and water. Do not use a volatile solvent (e.g. thinner, benzine, alcohol, etc.) or a cleaner containing abrasive material.