



# INSTALLATION INSTRUCTIONS

Accessory  
**CARGO NET**  
P/N 08L96-T0A-100

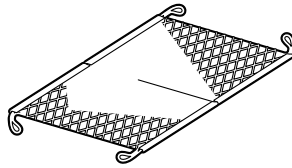
Application  
**2012 CR-V**

Publications No.  
**All 12068**  
Issue Date  
**DEC 2011**

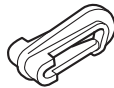
Put this information in the glove box with the vehicle owner's manual.

## PARTS LIST

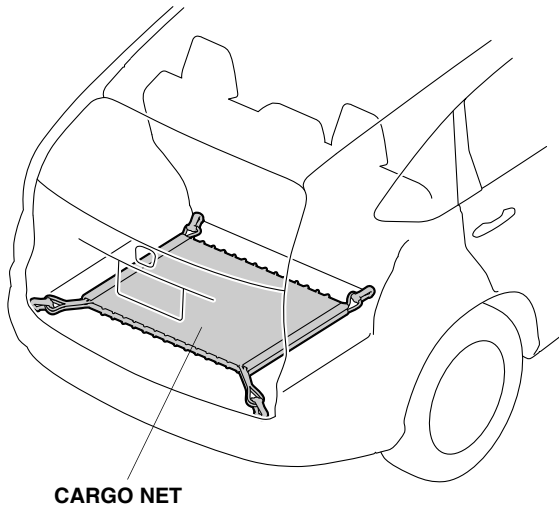
Cargo net



4 Snaps



### Illustration of the Cargo Net Installed on the Vehicle

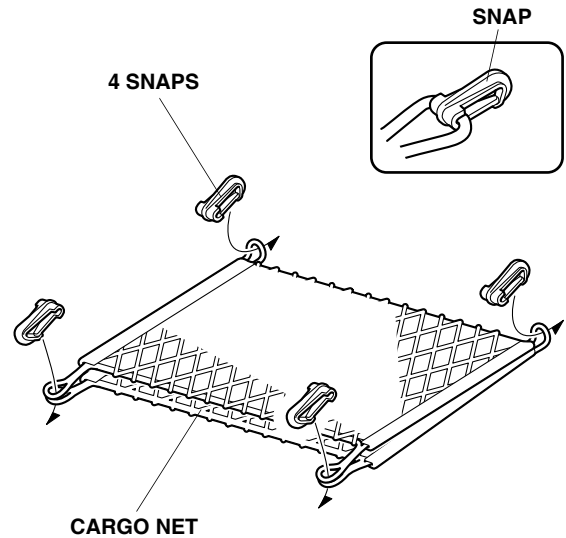


## INSTALLATION

**Customer Information:** The information in this installation instruction is intended for use only by skilled technicians who have the proper tools, equipment, and training to correctly and safely add equipment to your vehicle. These procedures should not be attempted by "do-it-yourselfers."

## Installing the Cargo Net

1. Fold the cargo net in half, and attach four snaps to the cargo net as shown.



2. Open the tailgate, and secure four snaps to the hooks in the cargo area.

