



INSTALLATION INSTRUCTIONS

Accessory
REAR BUMPER APPLIQUE
P/N 08P48-TE0-100

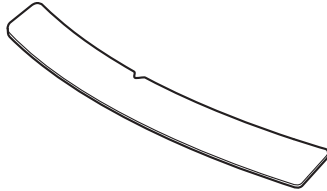
Application
2012 ACCORD
2-DOOR

Publications No.
All 46520

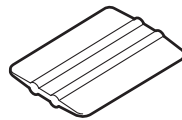
Issue Date
AUG 2011

PARTS LIST

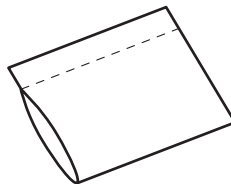
Rear bumper applique



Applicator



Soft sleeve



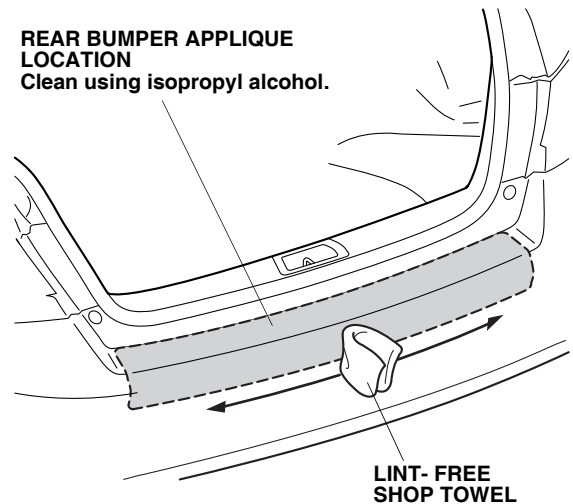
TOOLS AND SUPPLIES REQUIRED

Isopropyl alcohol
Shop towel
Lint-free shop towel
Masking tape
Felt-tip pen
Spray bottle
Protective tape application solution P/N: 08712-0008

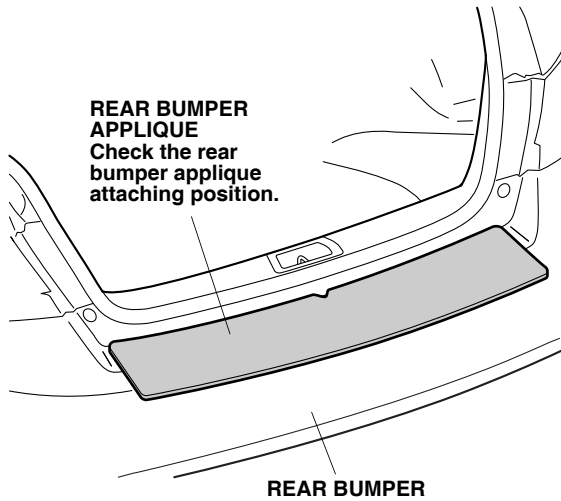
INSTALLATION

NOTE:

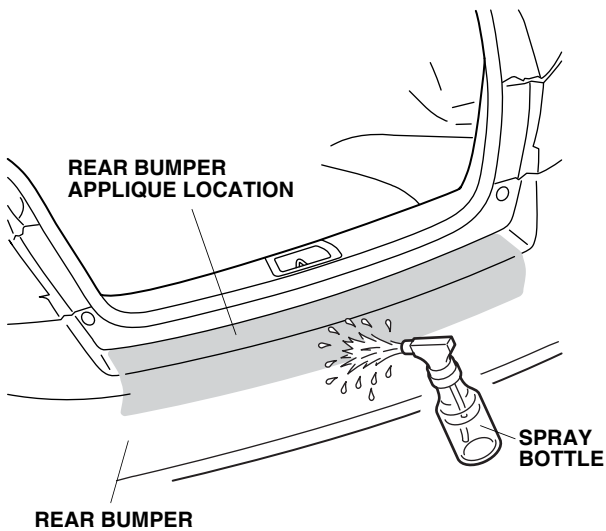
- Be careful not to damage the rear bumper and other finished surfaces of the body.
 - This rear bumper applique should be installed only if the ambient air temperature is 15°C (60°F) or above.
 - To allow the adhesive to cure, do not wash the vehicle for 24 hours.
1. Using isopropyl alcohol on a lint-free shop towel, clean the rear bumper where the rear bumper applique will attach.



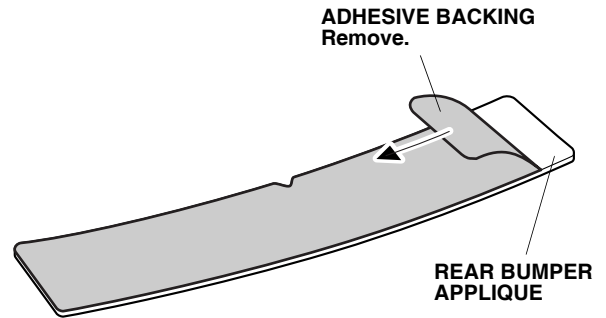
- Align the rear bumper applique to the rear bumper and check the rear bumper applique attaching position.



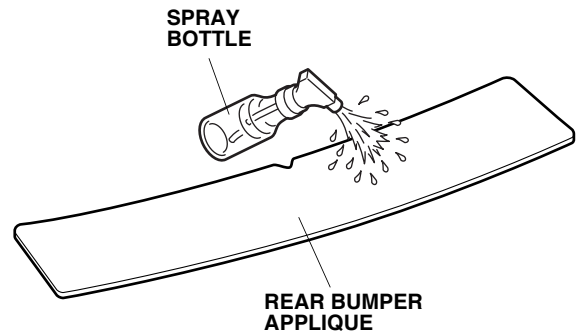
- Remove the rear bumper applique.
- Using a spray bottle with protective tape application solution, spray the rear bumper where the rear bumper applique will attach.



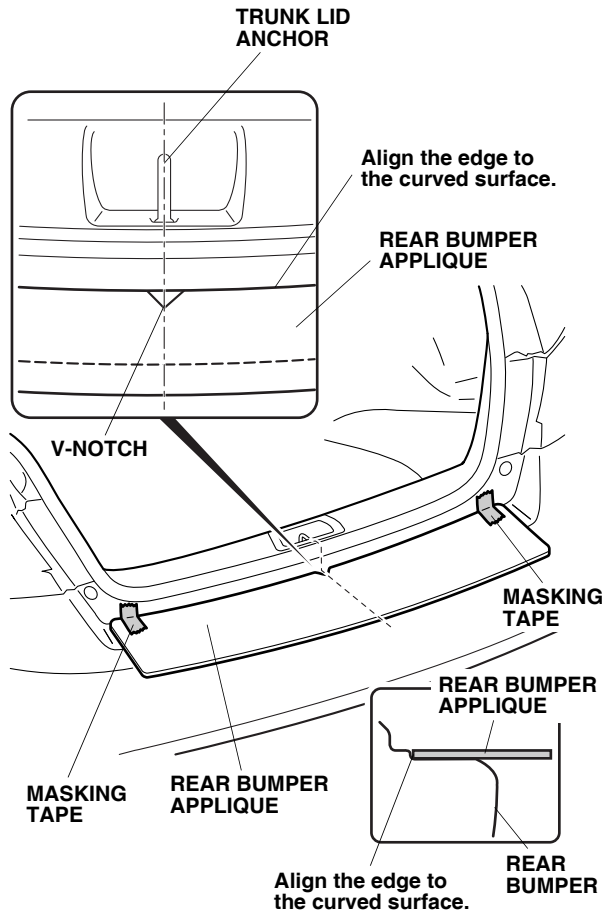
- Remove the adhesive backing from the rear bumper applique.



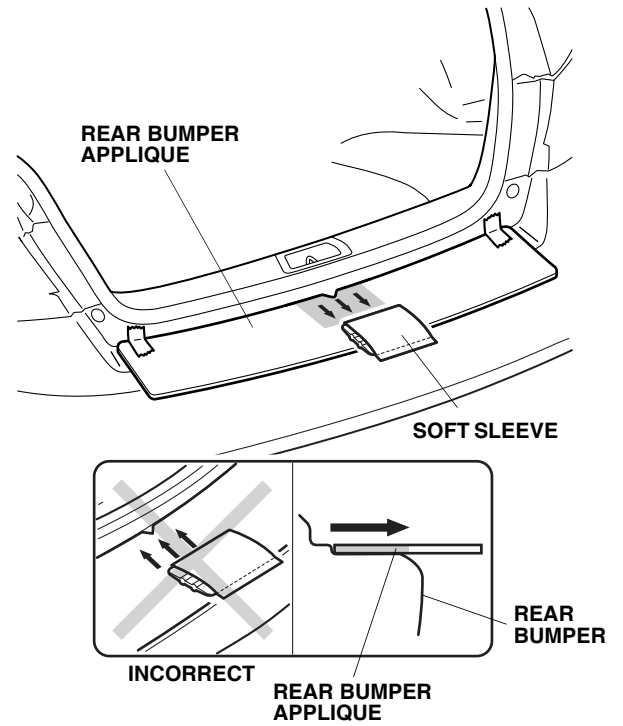
- Spray the rear bumper applique with protective tape application solution.



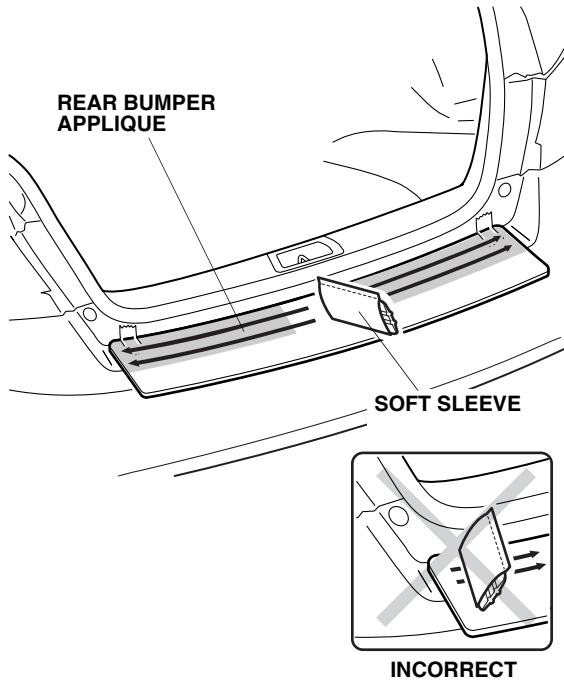
- Align the V-notch in the rear bumper applique with the center of the trunk lid anchor as shown. Smooth the rear bumper applique along the rear bumper and tape each end at the curved surface.



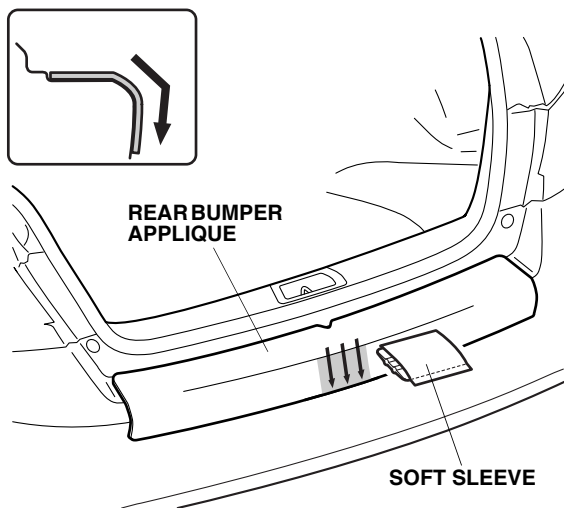
- Insert the applicator into the soft sleeve.
- Position the rear bumper applique on the rear bumper. Avoid touching the adhesive with your fingers.
- Using the soft sleeve, apply pressure to smooth out the top surface at the center of the rear bumper applique using downward strokes. Do not push the soft sleeve forward.



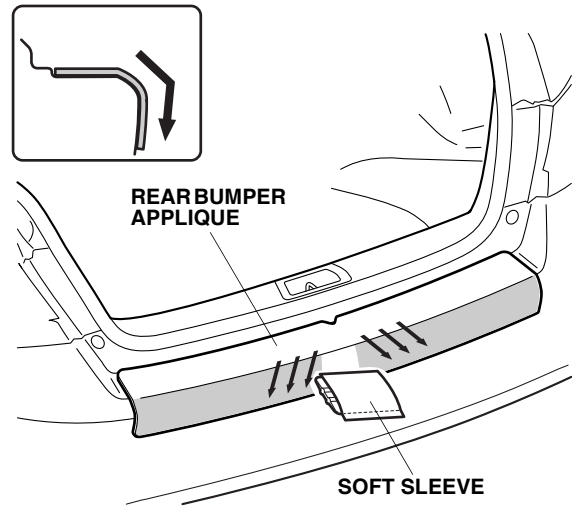
11. Starting from the center and working outward, use the soft sleeve to smooth the rear bumper applique. Repeat on the right side. Stroke in one direction only.



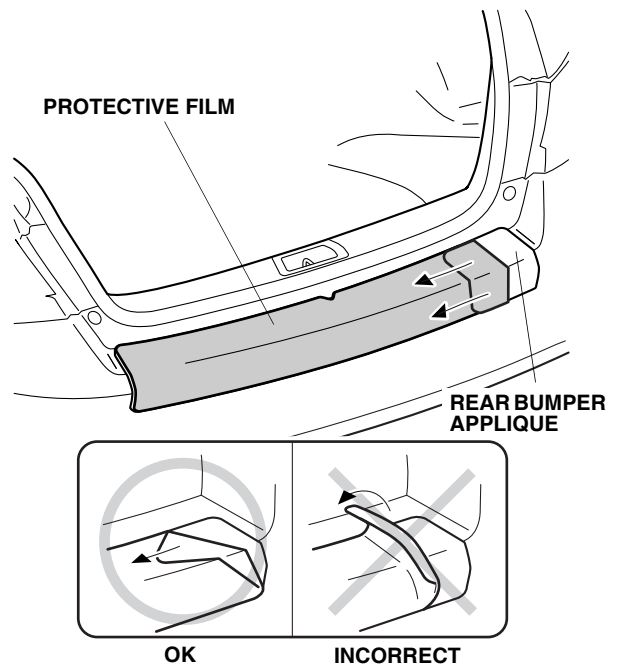
12. Once the flat surface is completely smooth with no bubbles, use the soft sleeve to apply the rear bumper applique to the rounded rear edge at the center as shown.



13. Use the soft sleeve to apply the rear bumper applique to the rounded rear edge on the left side as shown. Start in the middle and work outward. Repeat on the right side.



14. Remove the protective film from the top rear bumper applique. Slowly pull the protective film back as you go; do not pull it upward.



- 15. Use a shop towel to rub across and down on the rear round edge. Allow the rear bumper applique to dry thoroughly.

