



# INSTALLATION INSTRUCTIONS

Accessory  
**CARGO DIVIDER**  
P/N 08U45-SZA-100A

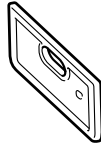
Application  
**2011 PILOT**

Publications No.  
**All 43303**  
Issue Date  
**MARCH 2010**

Put this information in the glove box with the vehicle owner's manual.

## PARTS LIST

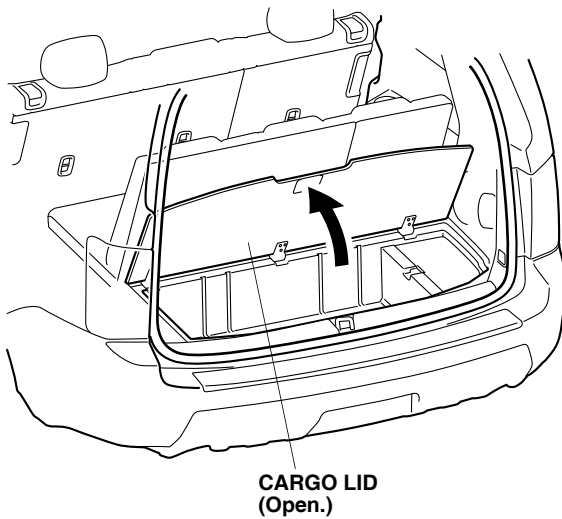
- 4 Cargo dividers



## INSTALLATION

### Installing the Cargo Divider

1. Open the cargo lid.



2. Insert four cargo dividers to the recess as shown.

