



# INSTALLATION INSTRUCTIONS

Accessory  
**FRONT LIP SPOILER**  
P/N 08F01-SZT-1T0

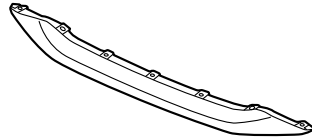
Application  
**2011 CR-Z**

Publications No.  
**All 43560**

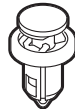
Issue Date  
**AUG 2010**

## PARTS LIST

Front lip spoiler



7 Clips



## TOOL AND SUPPLIES REQUIRED

Trim Tool Set (SOJATP2014)

(Available through the Honda Tool and Equipment program. On the iN, click on: Service/Service Bay/Tool and Equipment Program, then enter the number under "Search." Or call 888-424-6857.)

Stubby phillips screwdriver

Diagonal cutters

Pushpin

Drill

3 mm and 10 mm Drill bits

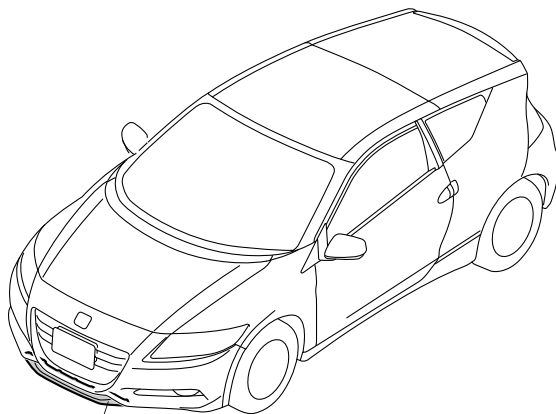
File

Eye protection (safety goggles, face shield, etc.)

Blanket

10 mm Open end wrench

## Illustration of the Front Lip Spoiler Installed on the Vehicle



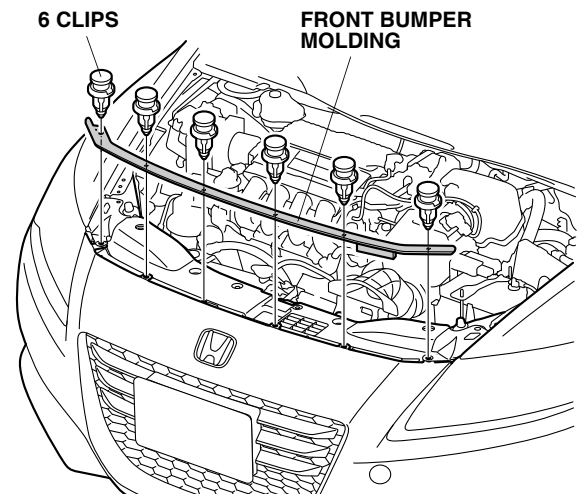
**FRONT UNDER SPOILER**

## INSTALLATION

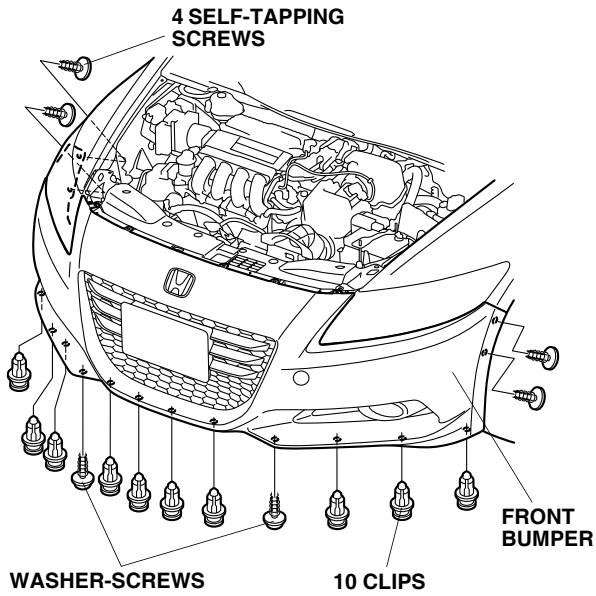
**Customer Information:** The information in this installation instruction is intended for use only by skilled technicians who have the proper tools, equipment, and training to correctly and safely add equipment to your vehicle. These procedures should not be attempted by "do-it-yourselfers."

### NOTE:

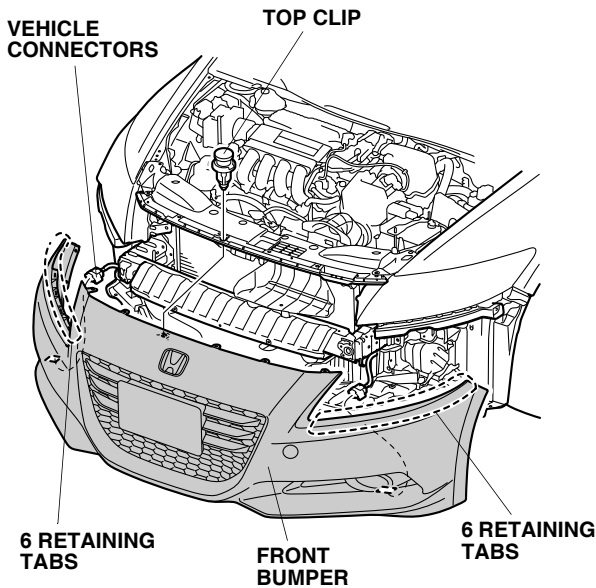
- Do not damage the vehicle body paint finish.
  - A lift is required to raise the vehicle off the ground to install the front lip spoiler.
  - The front under spoiler cannot be used with a nose mask.
1. Make sure you have the anti-theft code for the audio unit and navigation unit (if equipped), then write down the radio station presets.
  2. Disconnect the negative cable from the battery.
  3. Remove the front bumper.
    - Remove the front bumper molding (six clips).



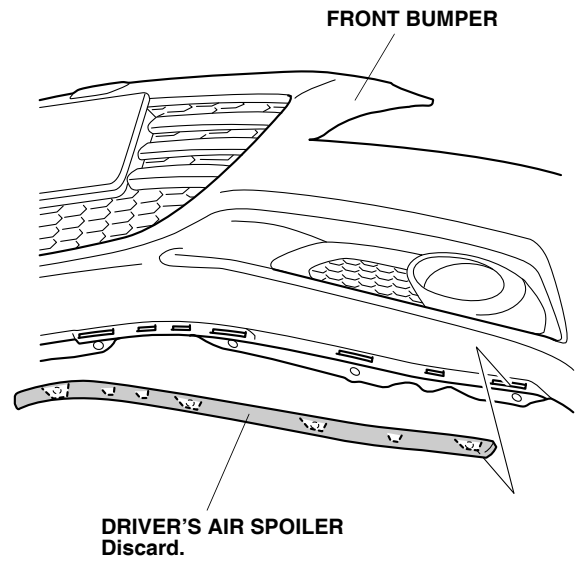
- Remove ten clips, four self-tapping screws, and two washer-screws.



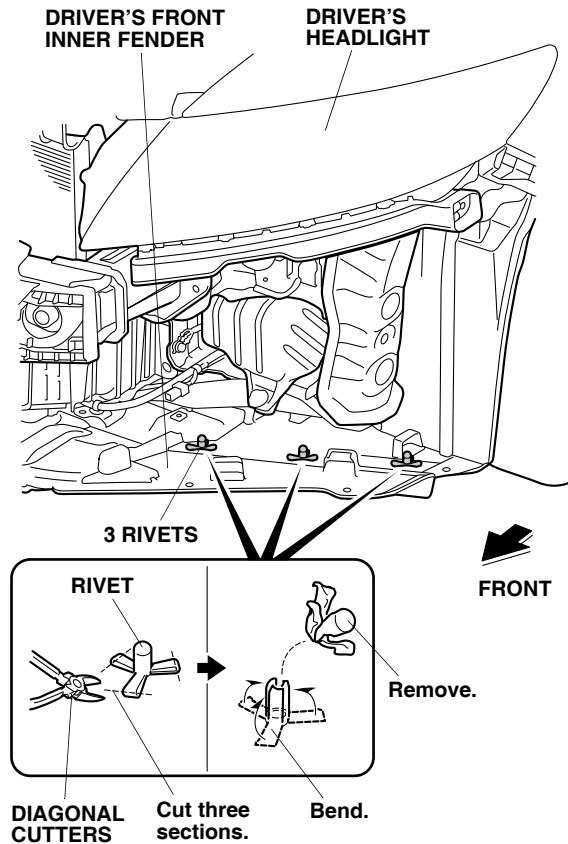
- Remove the top clip. With the help of an assistant, release six retaining tabs on each side, and remove the front bumper.
- If the vehicle is equipped with fog lights, unplug the vehicle connectors.
- Place the front bumper on a blanket.



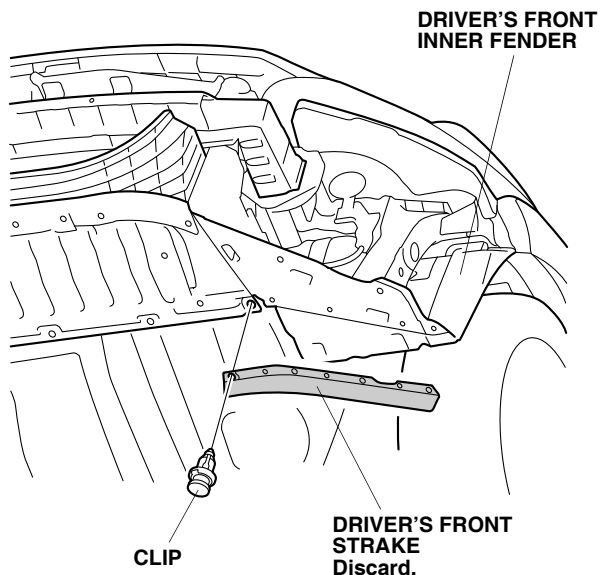
- Remove and discard the driver's and passenger's air spoiler.



- Using diagonal cutters, cut and remove the three rivets on the driver's and passenger's front inner fender as shown.

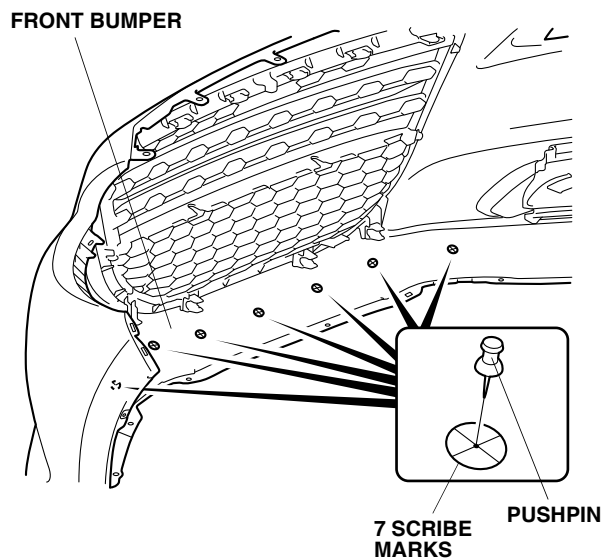


- On the bottom of the driver's and passenger's front inner fender, remove and discard the driver's and passenger's front strake (one clip), then reinstall the clip.

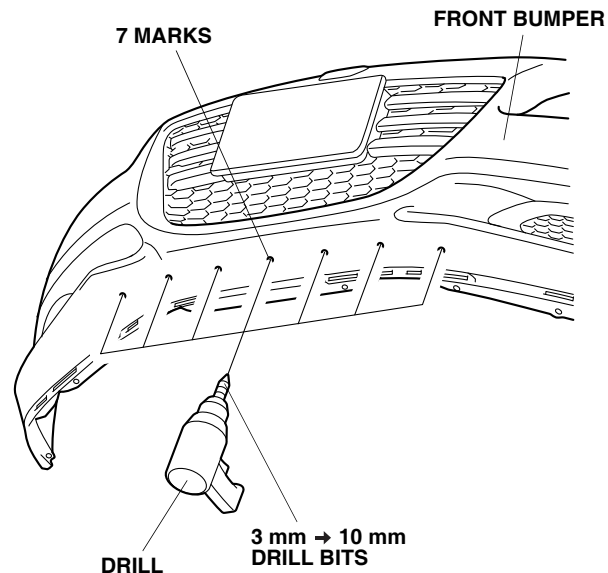


### Installing the Front Lip Spoiler

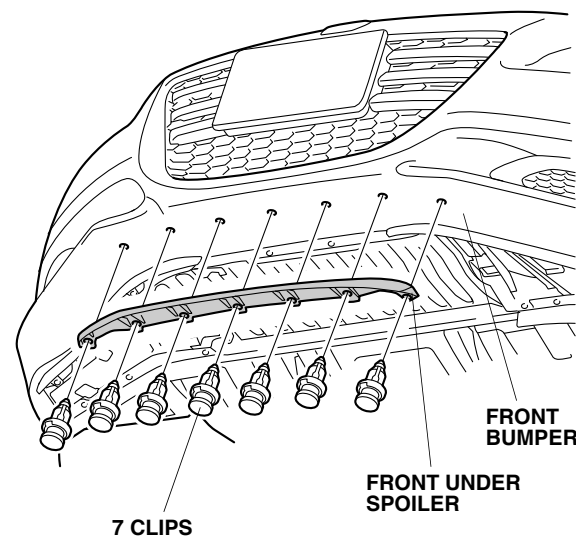
- On the inside lower edge of the front bumper, locate the seven scribe marks. Using a pushpin, pierce the center of each scribe mark.



- While wearing eye protection, drill the seven pierced marks on the front bumper from the painted side with a 3 mm drill bit, then enlarge the holes with a 10 mm drill bit. Remove any burrs.



- With the help of an assistant, reinstall the front bumper.
- Install the front lip spoiler to the front bumper with seven clips.



- Reconnect the negative cable to the battery.
- Enter the customer's anti-theft code for the audio and navigation system if equipped, and reset the radio station presets.
- Reset the clock.
- If the IMA battery level gauge display is at zero, start the engine, and hold it between 3,500 and 4,000 rpm (without load) in P or N position until the IMA battery level gauge display shows at least half-charged.

## **USE AND CARE**

**Please give a copy of this page to your customer.**

The front under spoiler has a textured surface. To prevent wax build-up on the textured surface, do not wax the front under spoiler. To clean the textured surface, use a soft brush to remove any debris.