



INSTALLATION INSTRUCTIONS

Accessory
REAR SEAT COVER
P/N 08P32-SWA-100

Application
2011 CR-V

Publications No.
All 44636
Issue Date
AUG 2010

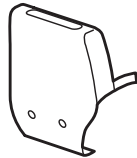
Put this instruction in the glove box with the vehicle owner's manual.

PARTS LIST

2 Outer headrest covers



Left rear seat back cover



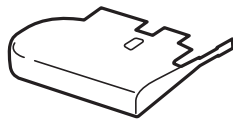
Left rear seat cushion cover



Right rear seat back cover



Right rear seat cushion cover



Center headrest cover



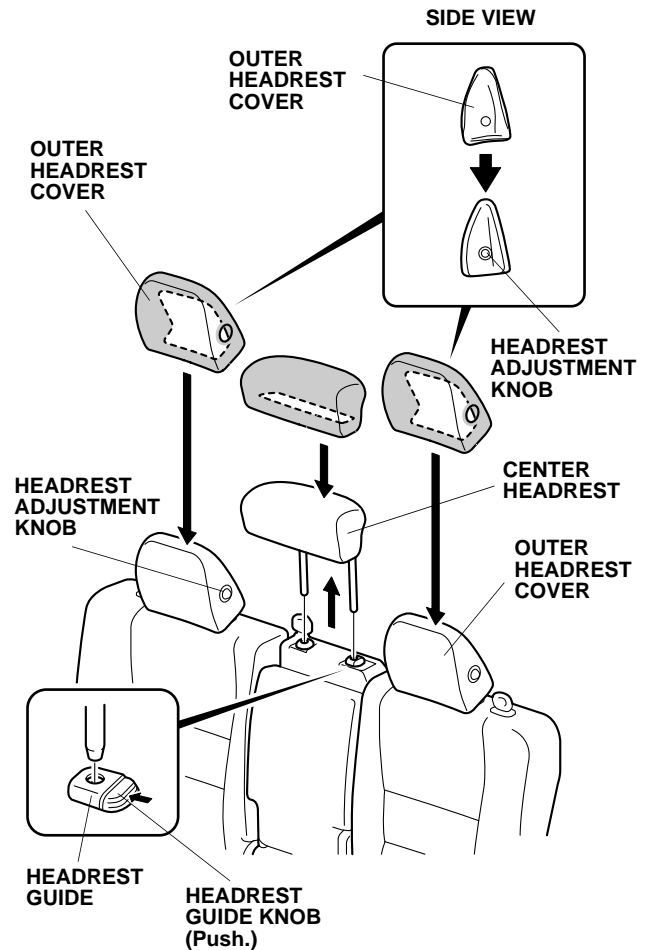
Armrest cover



INSTALLATION

Installing the Headrest Covers

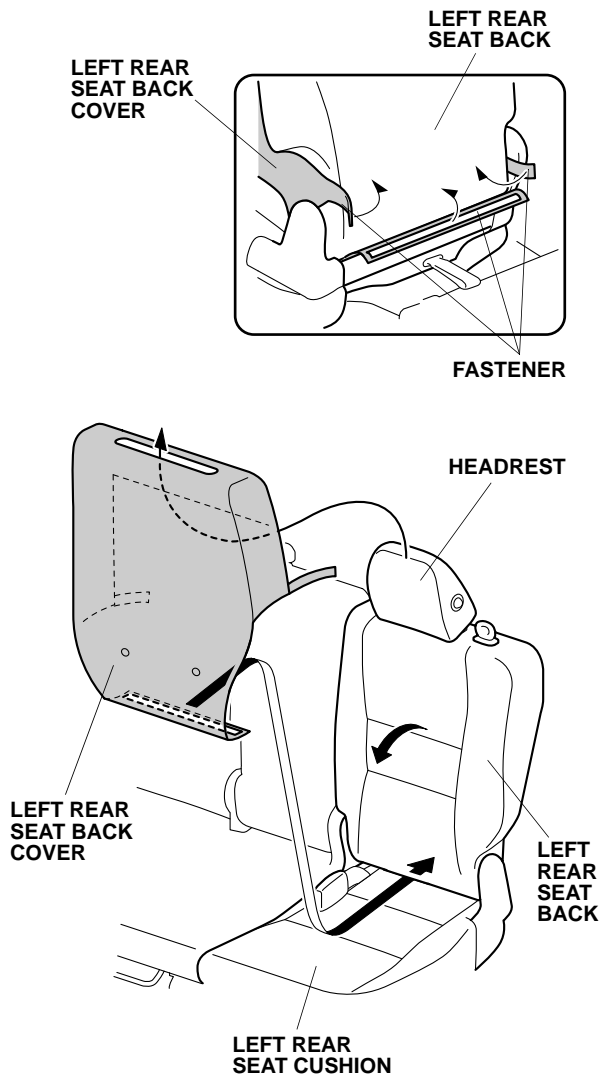
1. Remove the center headrest (press the headrest guide knob, and pull up on the headrest).



2. Install the center headrest cover over the center headrest, but don't reinstall the center headrest at this time.
3. Install the outer headrests covers over the outer headrests. Be sure the headrest adjustment knob is not covered by the headrest cover.

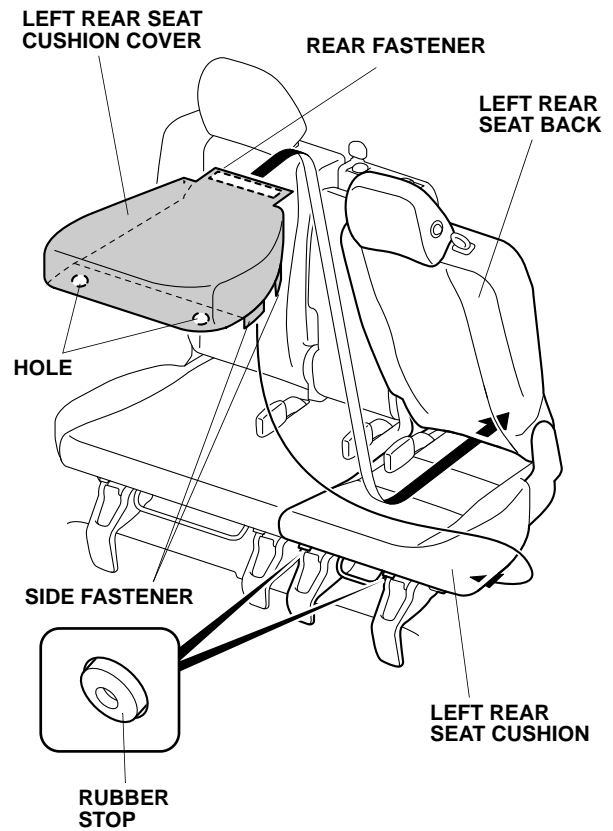
Installing the Left Rear Seat Cover

4. Install the left rear seat back cover over the left rear seat back.

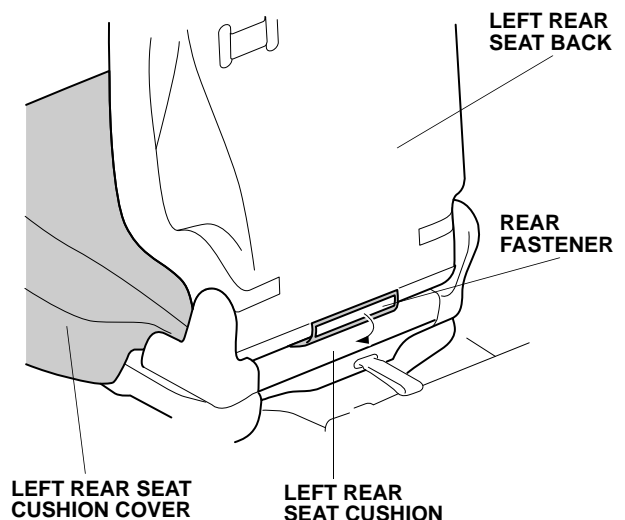


5. Tilt the left rear seat back forward, and tuck the fastener between the seat back and the seat cushion. Secure the three fasteners to the left rear seat back.

6. Locate the two rubber stops on the front of the left rear seat cushion. Align the two holes in the left rear seat cushion cover over the rubber stops, and install the left rear seat cushion cover over the left rear seat cushion.

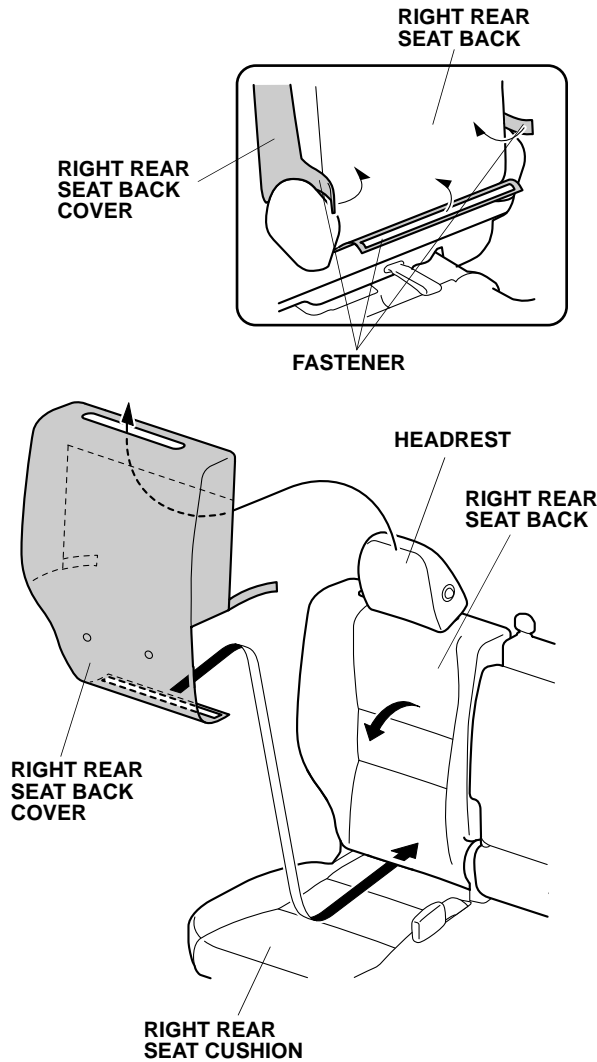


7. Tilt the left rear seat back forward, and tuck the rear fastener between the seat back and the seat cushion. Secure the side fasteners to the bottom of the seat cushion.
8. Secure the rear fastener to the back of the left rear seat cushion.



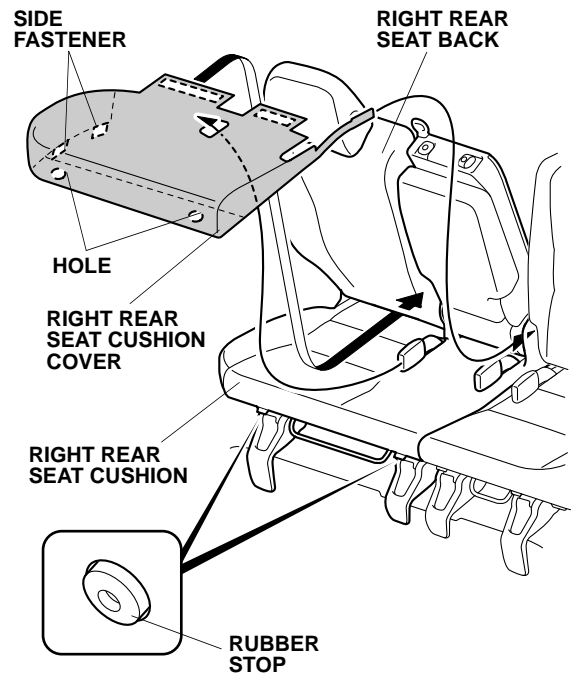
Installing the Right Rear Seat Cover

- Install the right rear seat back cover over the right rear seat back.

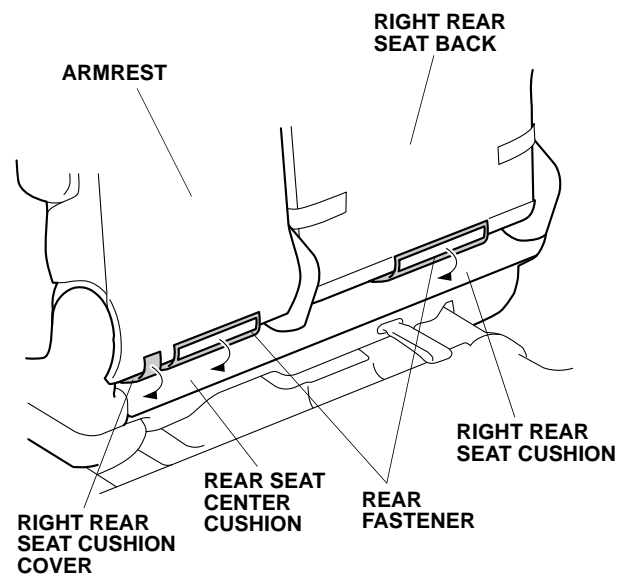


- Tilt the right rear seat back forward, and tuck the fastener between the seat back and the seat cushion. Secure the three fasteners to the right rear seat back.

- Locate the two rubber stops on the front of the right rear seat cushion. Align the two holes in the right rear seat cushion cover over the rubber stops, and install the right rear seat cushion cover over the right rear seat cushion.

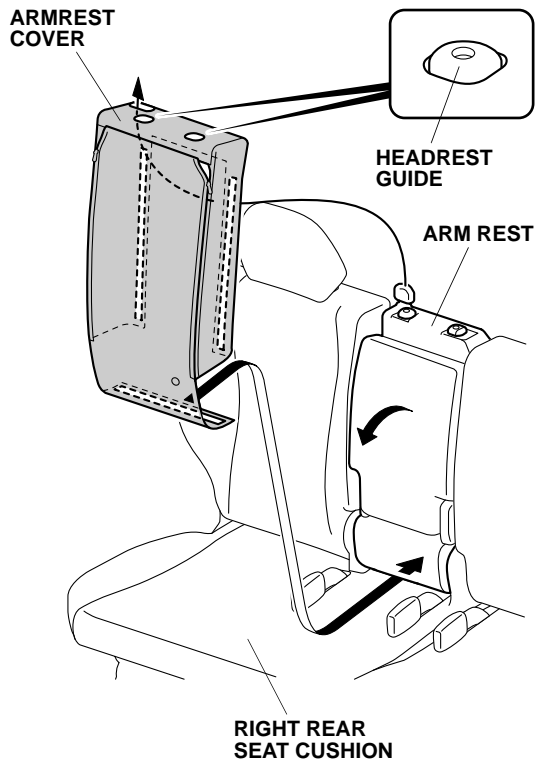


- Tilt the right rear seat back forward, and tuck the rear fastener between the seat back and the seat cushion. Secure the side fasteners to the bottom of the seat cushion.
- Secure the rear fasteners to the back of the right rear seat cushion, and to the back of the center cushion.



Installing the Armrest Cover

14. Install the armrest cover over the armrest.



15. Tilt the armrest forward and tuck the fastener between the armrest and the center seat cushion.
16. Secure the three fasteners to the back of the armrest. Use the zippers to access the drink holder/armrest.

