



INSTALLATION INSTRUCTIONS

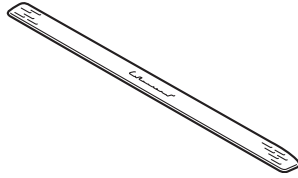
Accessory
DOOR SILL TRIMS
P/N 08F05-TP6-100

Application
2010 ACCORD CROSSTOUR

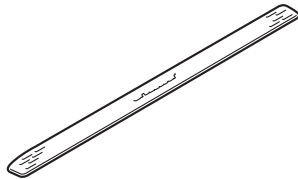
Publications No.
All 41955
Issue Date
NOV 2009

PARTS LIST

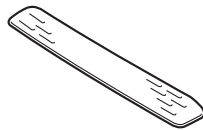
Left front door sill plate



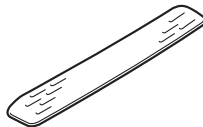
Right front door sill plate



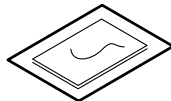
Left rear door sill plate



Right rear door sill plate



2 Alcohol wipes



TOOLS AND SUPPLIES REQUIRED

Masking tape

Scale

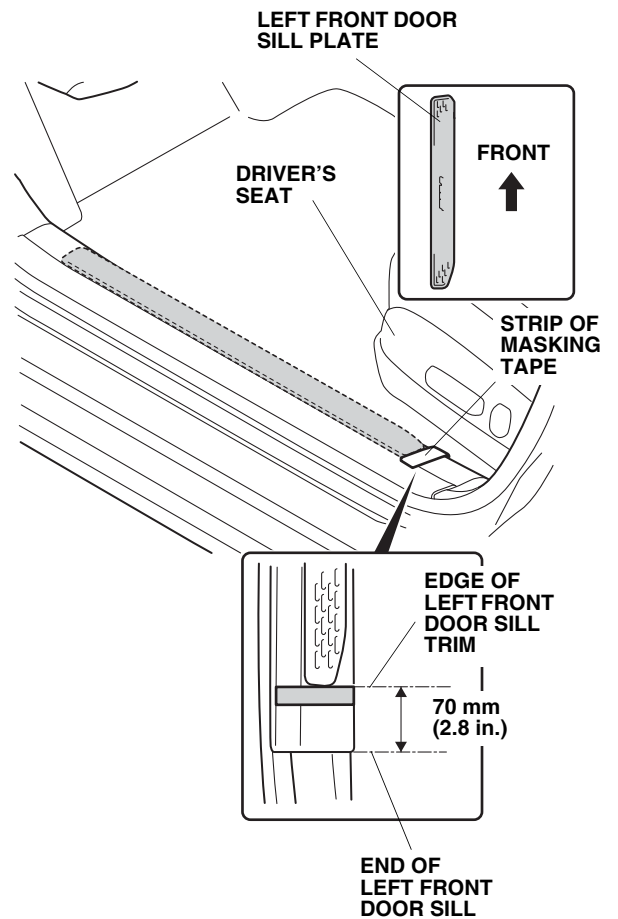
INSTALLATION

NOTE:

- These installation instructions show the left door sill plates being installed. The same procedure applies to the right door sill plates.
- This door sill trims kit should be installed only if the ambient air temperature is 15°C (60°F) or above.

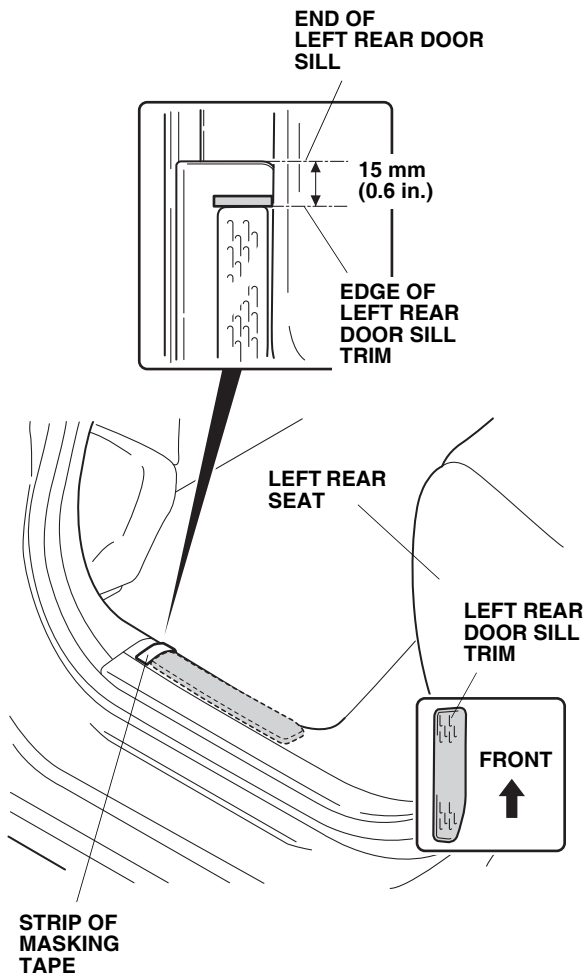
1. Open the left front door. Place the door sill trim on the door sill at the measurement show, and mark the door sill using a strip of masking tape at the edge of the door sill trim.

Left Front Door Sill



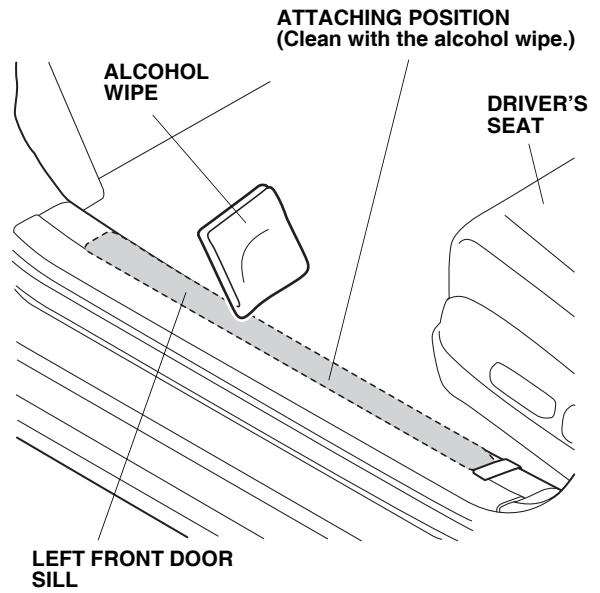
- Open the left rear door. Place the door sill trim on the door sill at the measurement shown, and mark the door sill using a strip of masking tape at the edge of the door sill trim.

Left Rear Door Sill

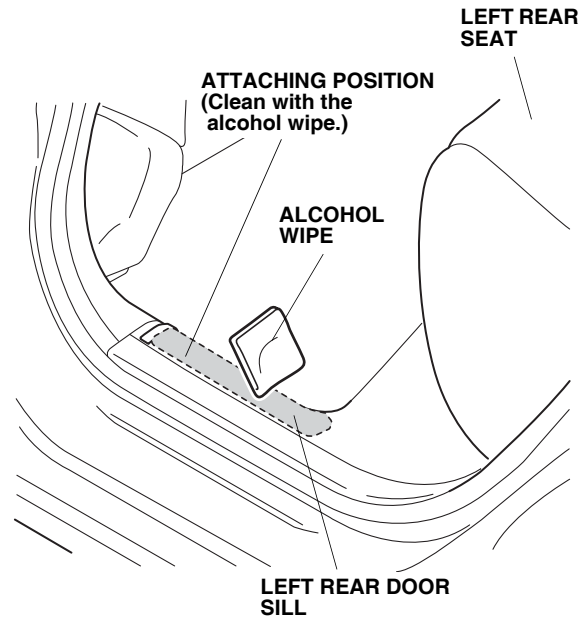


- Using one alcohol wipe, clean the front and rear door sills where the door sill trims will attach. Allow the alcohol to dry.

Left Front Door Sill

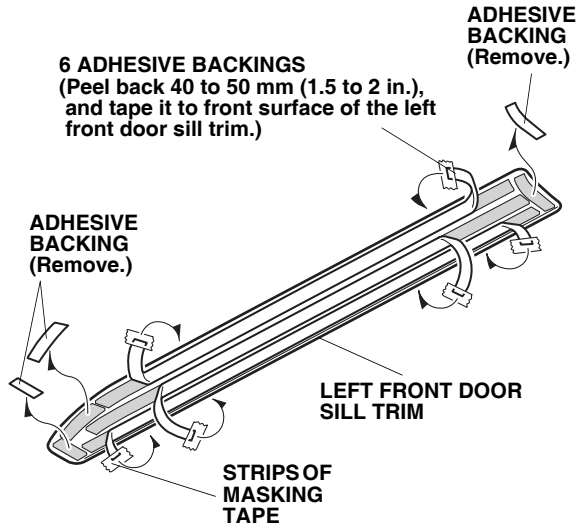


Left Rear Door Sill

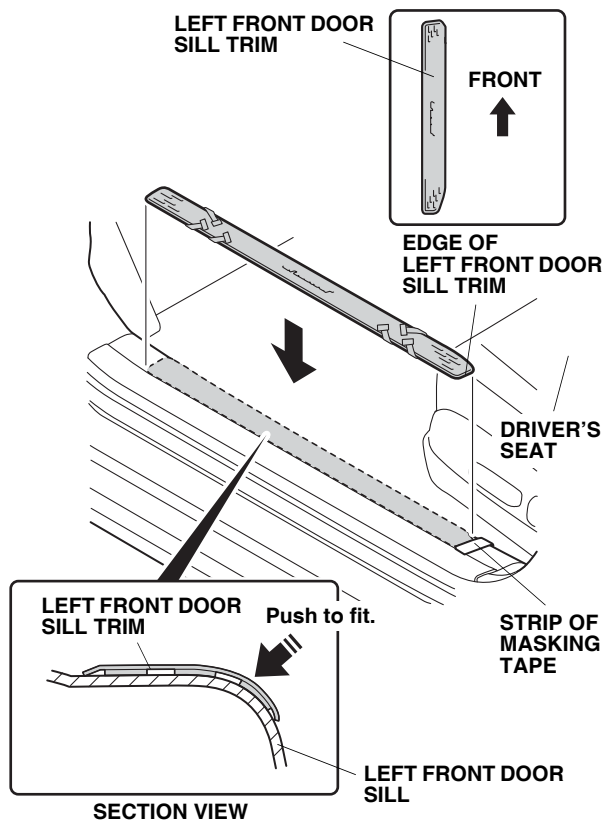


Installing the Left Front Door Sill Trim

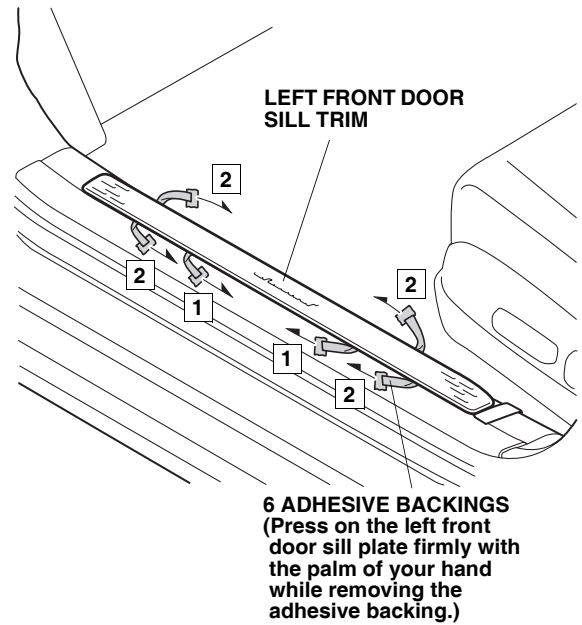
- Peel back about 40 to 50 mm (1.5 to 2 in.) of adhesive backing from each adhesive backing, and tape the ends to the front surface of the left front door sill trim. Remove the other remaining adhesive backings.



- Starting at the curved area, push the left front door sill trim against the left front door sill. Align the edge of the left front door sill trim with the masking tape, and install the left front door sill trim.

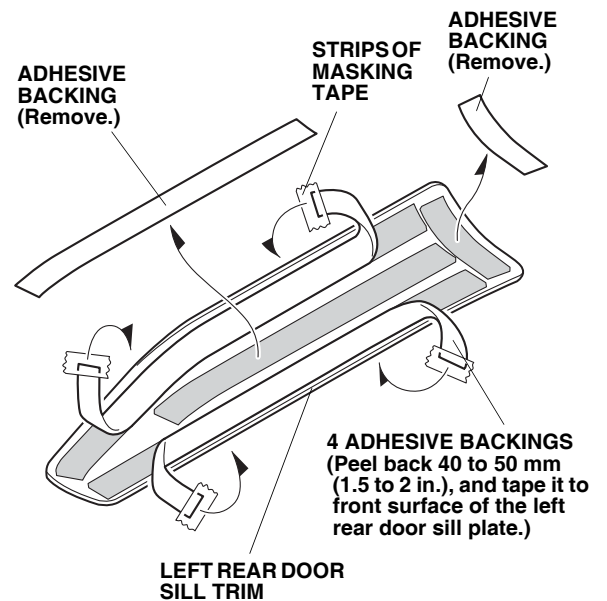


- Using the palm of your hand, press on the left front door sill trim firmly against the door sill, and remove the adhesive backing in the order shown. Apply firm pressure especially at the ends.

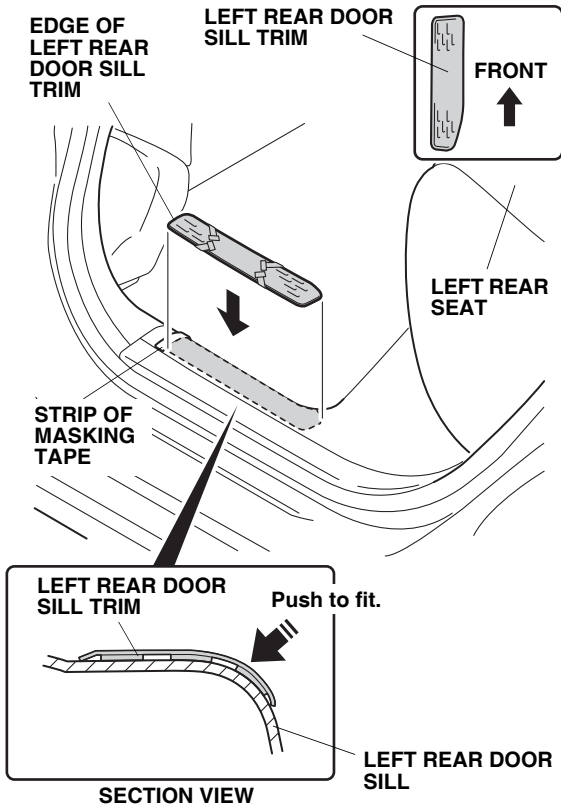


Installing the Left Rear Door Sill Trim

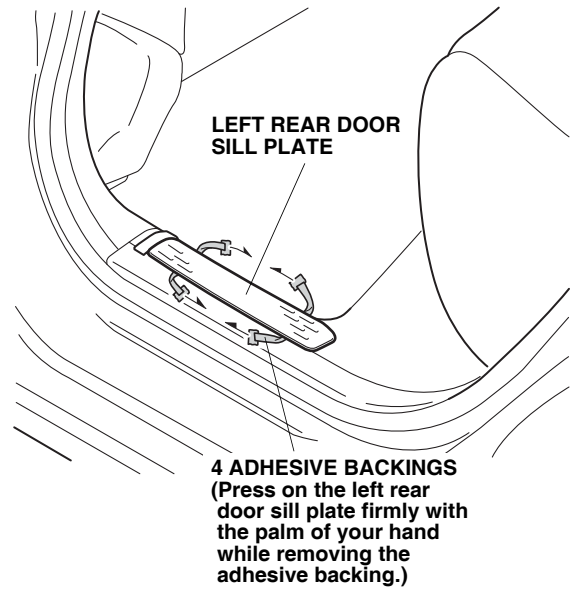
- Peel back about 40 to 50 mm (1.5 to 2 in.) of adhesive backing from each adhesive backing, and tape the ends to the front surface of the left rear door sill trim. Remove the other remaining adhesive backings.



- Starting at the curved area, push the left rear door sill trim against the left rear door sill. Align the edge of the left rear door sill trim with the masking tape, and install the left rear door sill trim.



- Using the palm of your hand, press on the left rear door sill trim firmly against the door sill, and remove the adhesive backings. Apply firm pressure especially at the ends.



- Remove all of the masking tapes.
- Repeat steps 1 thru 10 to install the door sill trims on the right side of the vehicle.