

HONDA INSTALLATION INSTRUCTIONS

Accessory
INTERIOR PANEL TRIM
P/N 08Z03-TA0-100

Application
2010 ACCORD
4-DOOR

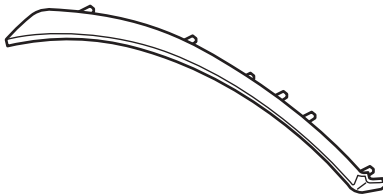
Publications No.
All 42267
Issue Date
AUG 2009

PARTS LIST

Driver's interior panel trim A

Driver's interior panel trim B

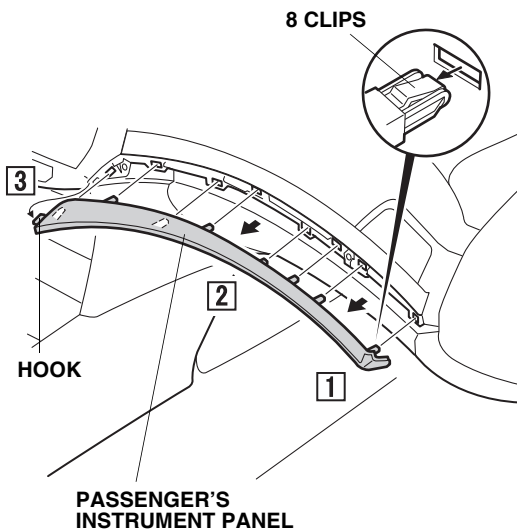
Passenger's interior panel trim



INSTALLATION

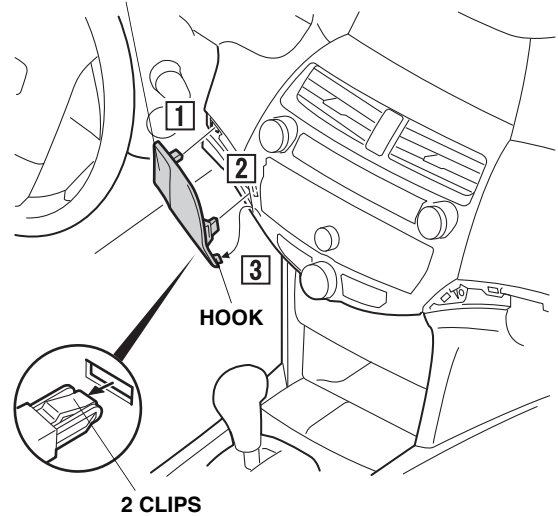
NOTE: Install the accessory with care. Do not damage the vehicle body and the parts of the vehicle.

1. Remove the passenger's instrument panel trim (eight clips and one hook) Remove the clips in the order shown. Take care not to damage the hook
1 → **2** → **3**.

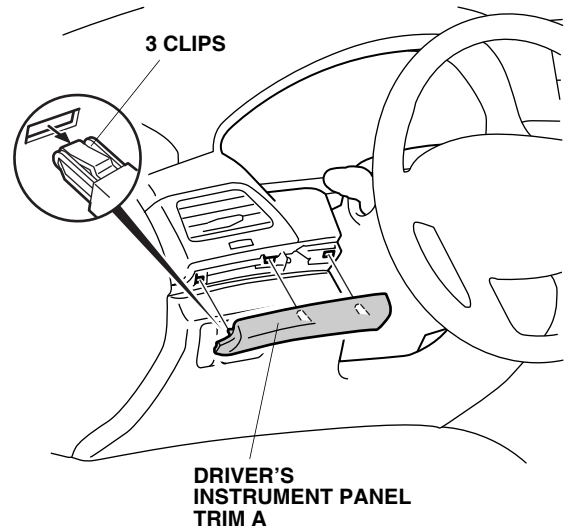


2. Remove driver's instrument panel trim B (two clips and one hook). Remove in order shown
1 → **2** → **3**. Take care not to damage the hook.

DRIVER'S INSTRUMENT PANEL TRIM B

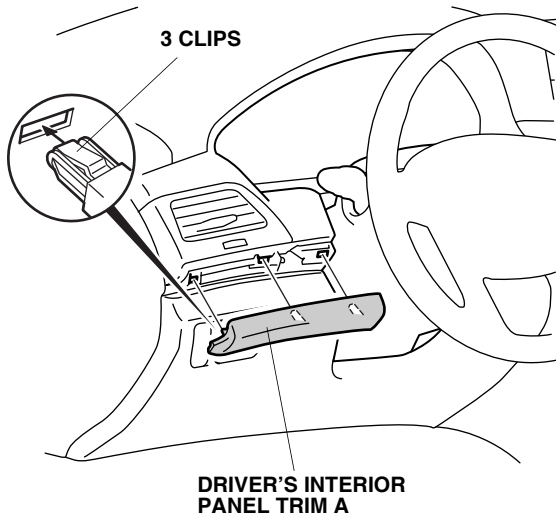


3. Remove driver's instrument panel trim A (three clips).

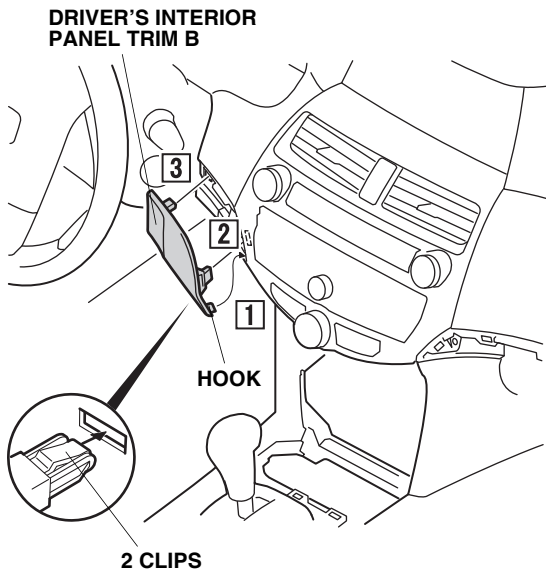


Installing the Interior Panel Trim

4. Install driver's interior panel trim A (three clips).



5. Install driver's interior panel trim B (two clips and one hook). Install in the order shown. 1 → 2 → 3



6. Install passenger's interior panel trim (eight clips and one hook). Install in the order shown. 1 → 2 → 3

