

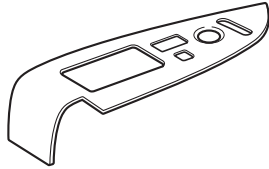


INSTALLATION INSTRUCTIONS

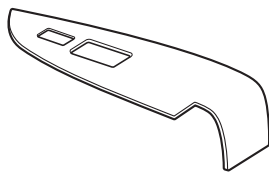
Accessory	Application	Publications No.
SWITCH PANEL/CUP HOLDER TRIM KIT P/N 08Z03-SHJ-100C	2008 ODYSSEY	All 38134-38362
		Issue Date NOV 2007

PARTS LIST

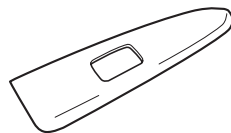
Driver's door switch panel trim



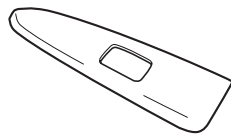
Passenger's door switch panel trim



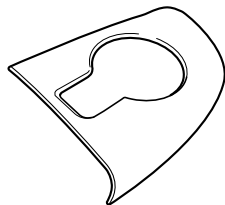
Driver's side rear door switch panel trim



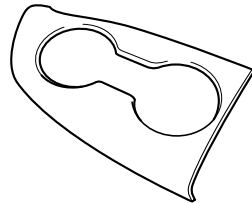
Passenger's side rear door switch panel trim



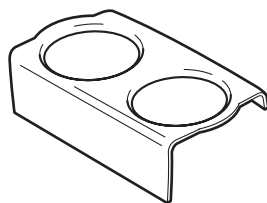
Driver's side rear door cup holder trim



Passenger's side rear door cup holder trim



Center console cup holder trim



SUPPLIES REQUIRED

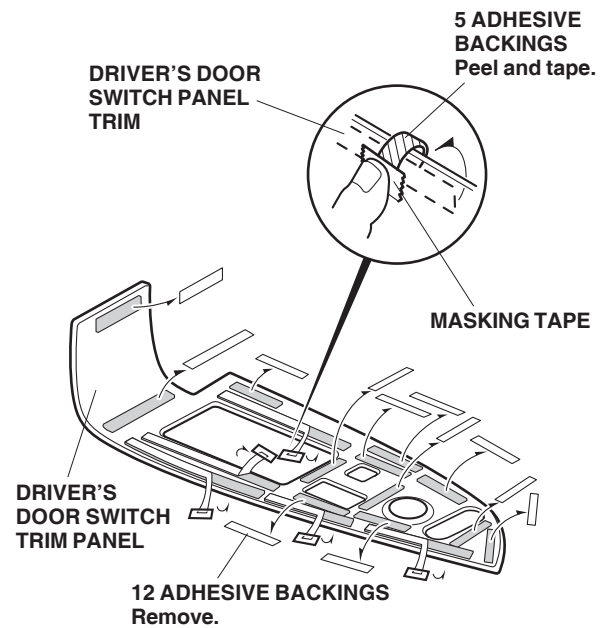
- Isopropyl alcohol
- Shop towel
- Masking tape

INSTALLATION

NOTE: This kit should only be installed if the ambient air temperature is 60°F (15°C) or above.

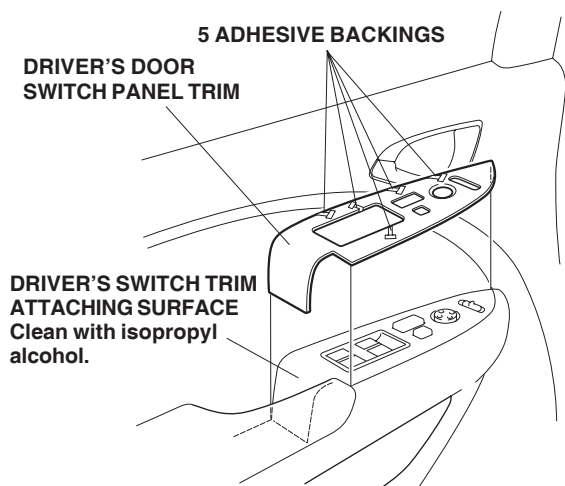
Driver's Door Switch Panel Trim:

- Using isopropyl alcohol on a shop towel, clean the area where the driver's door switch panel trim will attach.



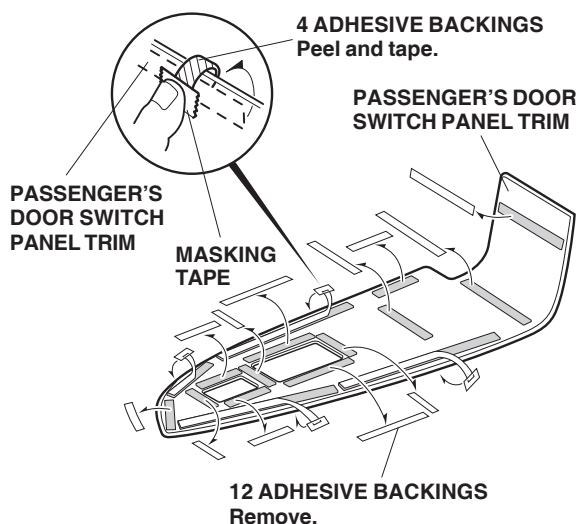
- Peel one inch from the end of the five adhesive backings shown, and attach them to the front of the driver's door switch trim panel with masking tape. Remove all the remaining adhesive backings from the switch panel trim.

- Carefully position the driver's door switch panel trim over the driver's door switch panel. While applying light pressure against the switch panel trim, slowly and carefully remove each piece of adhesive backing. Using the palm of your hand, apply pressure on the switch panel trim for about 30 seconds.



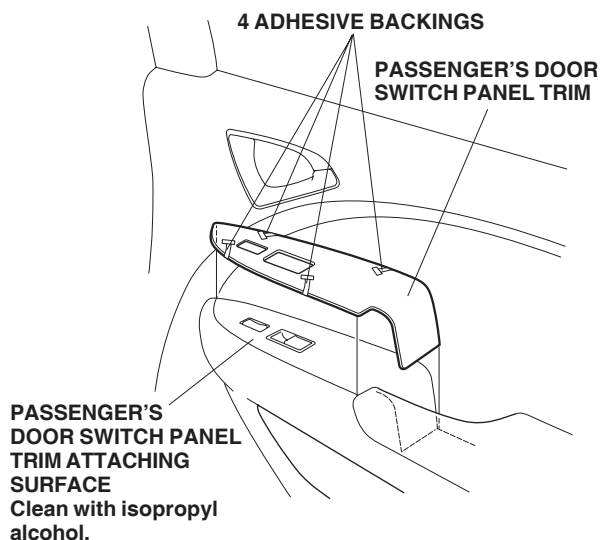
Passenger's Door Switch Panel Trim:

- Using isopropyl alcohol on a shop towel, clean the area where the passenger's door switch panel trim will attach.



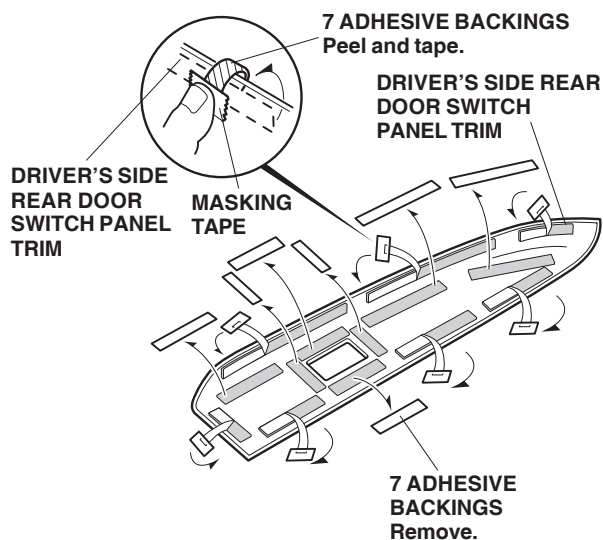
- Peel one inch from the end of the four adhesive backings shown, and attach them to the front of the passenger's door switch panel trim with masking tape. Remove all the remaining adhesive backings from the switch panel trim.

- Carefully position the passenger's door switch panel trim over the passenger's door switch panel. While applying light pressure against the switch panel trim, slowly and carefully remove each piece of adhesive backing. Using the palm of your hand, apply pressure on the switch panel trim for about 30 seconds.



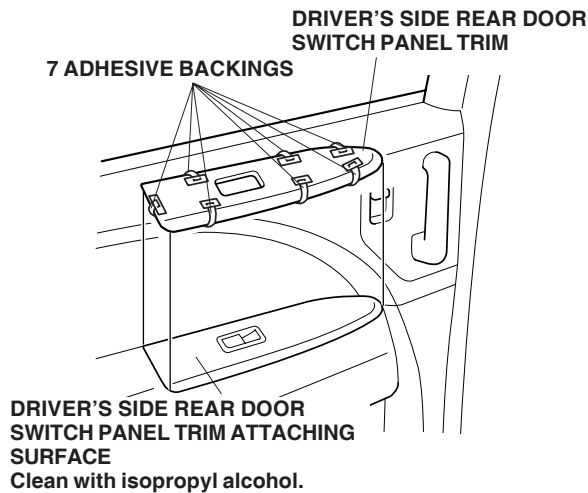
Driver's Rear Door Switch Panel Trim:

- Using isopropyl alcohol on a shop towel, clean the area where the driver's side rear door switch panel trim will attach.



- Peel one inch from the end of the seven adhesive backings shown, and attach them to the front of the driver's side rear door switch panel trim with masking tape. Remove all the remaining adhesive backings from the switch panel trim.

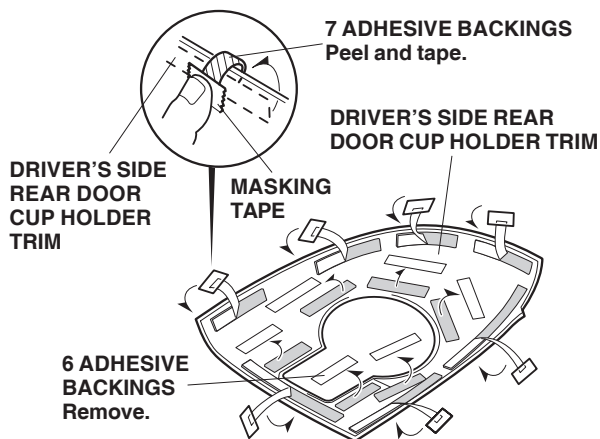
- Carefully position the driver's side rear door switch panel trim over the driver's side rear door switch panel. While applying light pressure against the switch panel trim, slowly and carefully remove each piece of adhesive backing. Using the palm of your hand, apply pressure on the switch panel trim for about 30 seconds.



- Repeat steps 7 thru 9 to install the passenger's side rear door switch panel trim to the passenger's side rear door switch panel.

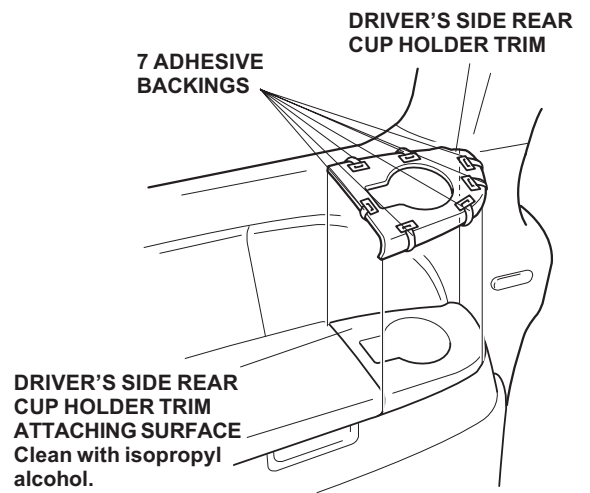
Driver's Side Rear Door Cup Holder Trim:

- Using isopropyl alcohol on a shop towel, clean the area where the driver's side rear door cup holder trim will attach.



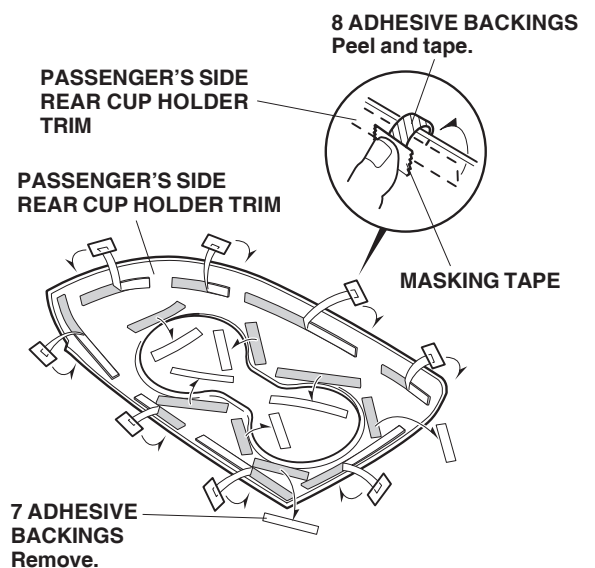
- Peel one inch from the end of the seven outer adhesive backings shown, and attach them to the front of the driver's side rear door cup holder trim with masking tape. Remove all the remaining inner adhesive backings from the cup holder trim.

- Carefully position the driver's side rear door cup holder trim over the driver's side rear door cup holder. While applying light pressure against the cup holder trim, slowly and carefully remove each piece of adhesive backing. Using the palm of your hand, apply pressure on the cup holder trim for about 30 seconds.



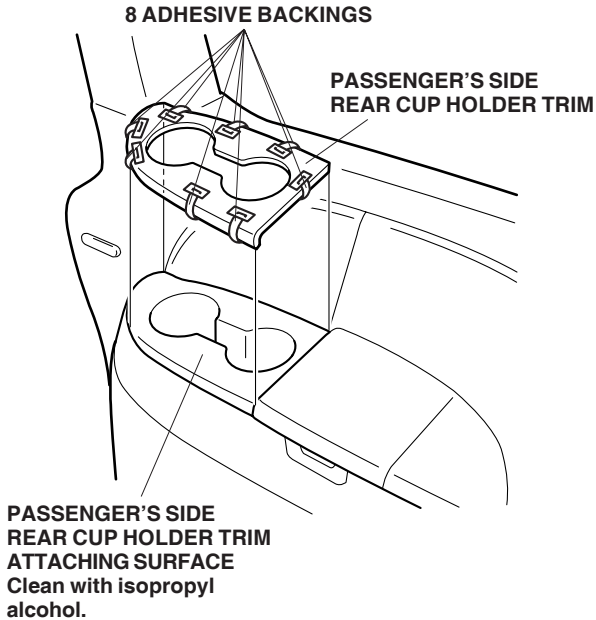
Passenger's Side Rear Door Cup Holder Trim:

- Using isopropyl alcohol on a shop towel, clean the area where the passenger's side rear door cup holder trim will attach.



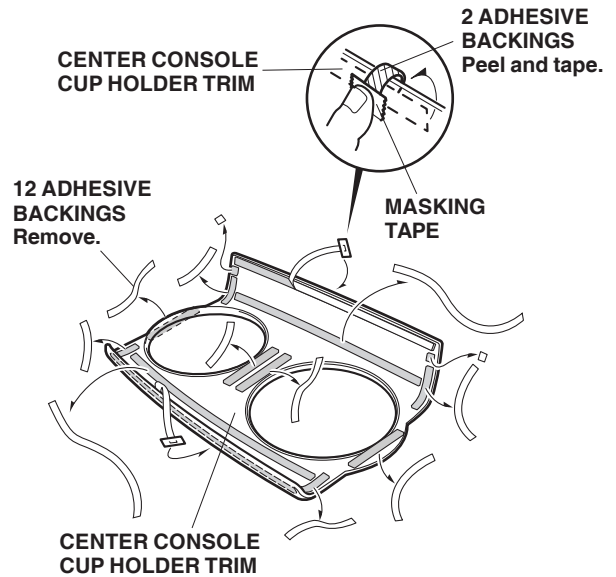
- Peel one inch from the end of the eight outer adhesive backings shown, and attach them to the front of the passenger's side rear door cup holder trim with masking tape. Remove all the remaining inner adhesive backings from the cup holder trim.

- Carefully position the passenger's side rear door cup holder trim over the passenger's side rear door cup holder. While applying light pressure against the cup holder trim, slowly and carefully remove each piece of adhesive backing. Using the palm of your hand, apply pressure on the cup holder trim for about 30 seconds.



Center Console Cup Holder Trim:

- Using isopropyl alcohol on a shop towel, clean the area where the center console cup holder trim will attach.



- Peel one inch from the end of the two adhesive backings shown, and tape them to the front of the center console cup holder trim. Remove all the remaining adhesive backings from the center console cup holder trim.
- Carefully position the center console cup holder trim over the center console cup holder. While applying light pressure against the center console cup holder trim, slowly and carefully remove each piece of adhesive backing. Using the palm of your hand, apply pressure on the center console cup holder trim for about 30 seconds.

