

**INSTALLATION  
INSTRUCTIONS**

Accessory

**EXHAUST PIPE FINISHER  
P/N 08F53-SLN-100**

Application

**2007 FIT**

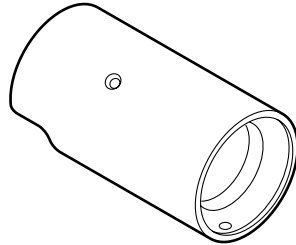
Publications No.

**All 31596**

Issue Date

**MAR 2006****PARTS LIST**

Exhaust finisher



2 Flange bolts

**TOOLS REQUIRED**

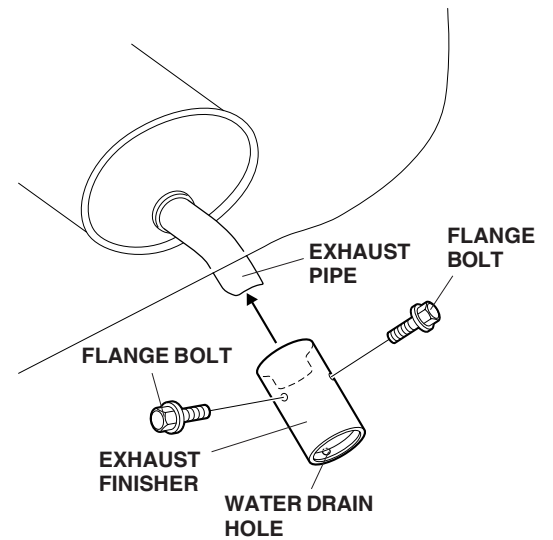
10 mm Socket

Torque wrench

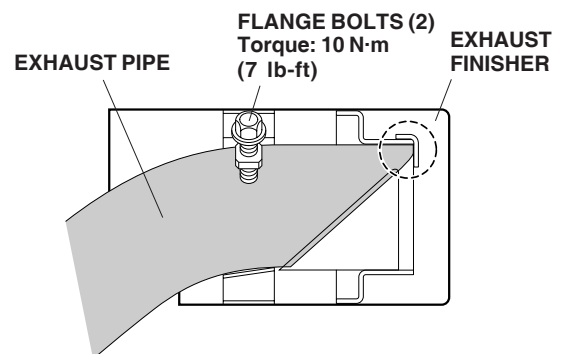
**INSTALLATION****NOTE:**

- Allow the exhaust pipe to cool down before you install the exhaust finisher kit.
- Never use abrasive-type cleaners to clean the exhaust finisher kit, as they may damage the finisher kit.

1. Partially thread the two flange bolts into the exhaust finisher.



2. With the water drain hole facing down slide the exhaust finisher all the way onto the exhaust pipe.
3. Push the exhaust finisher firmly until it bottoms against the exhaust pipe, then torque the two flange bolts to 10 N·m (7 lb-ft.).



4. Start the engine, and rev it up a few times. Listen for vibration from the exhaust finisher, and adjust if necessary.