

PARTS LIST

Exhaust pipe trim finisher:

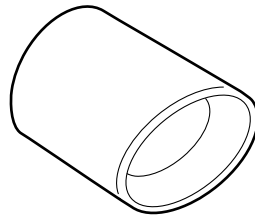
V6 - Chrome 08F53-SDP-100A

Gold 08F53-SDP-100

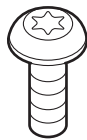
L4 - Chrome 08F53-SDN-100A

Gold 08F53-SDN-100B

2 Exhaust pipe trims



2 Special bolts

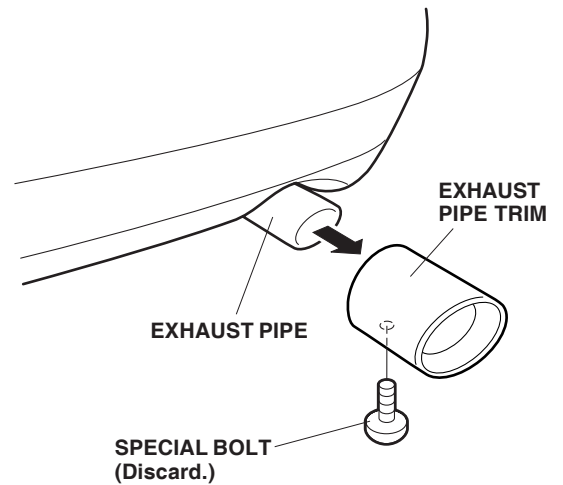
**TOOLS REQUIRED**

T-30 Torx driver

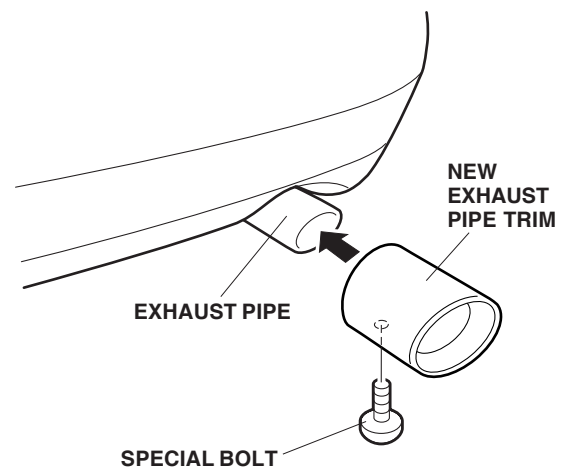
INSTALLATION**NOTE:**

- Allow the exhaust pipe to cool down before you install the exhaust pipe trim.
- These instructions show the right exhaust pipe trim being installed. The same procedure applies to installing the left exhaust pipe trim.
- This exhaust pipe finisher is for use with the rear under spoiler only.

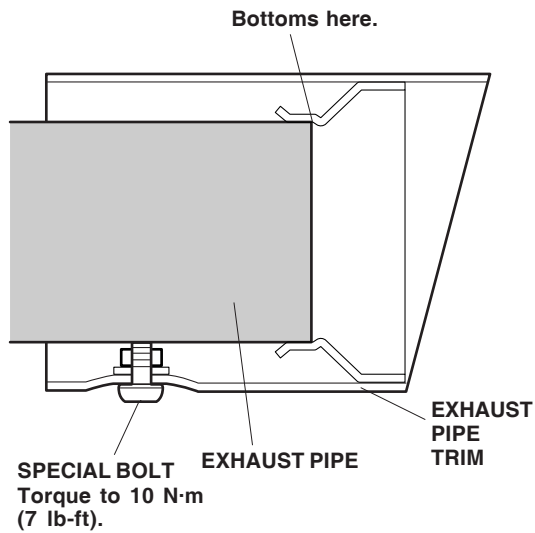
1. Remove the special bolt that fastens the existing exhaust pipe trim to the exhaust pipe, and remove the exhaust pipe trim.



2. Partially thread the supplied special bolt into the new exhaust pipe trim.



3. With the special bolt on the bottom, slide the exhaust pipe trim onto the exhaust pipe until it bottoms.



4. While pushing the exhaust pipe trim firmly against the exhaust pipe, tighten the special bolt. Torque to 10 N·m (7 lb-ft).
5. Repeat steps 1 through 4 to install the other exhaust pipe trim.
6. Start the engine, and rev it up a few times. Listen for vibration from the exhaust pipe trim and adjust if necessary.